



ENGLISH

DEUTSCH

FRANÇAIS

ITALIANO

ESPAÑOL

POLSKI

SVENSKA

FOR MODELS:

LDG12S, LDG12S3, LDG15S, LDG15S3

SAVE THESE INSTRUCTIONS. This manual contains important safety precautions which should be read and understood before operating the product. Failure to do so could result in serious injury. This manual should remain with the product.

Specifications, descriptions and illustrations in this manual are as accurate as known at the time of publication but are subject to change without notice.

INTRODUCTION

Thank you for purchasing our product.

This product is guaranteed against faulty manufacture for a period of 24 months from the date of purchase. Please keep your receipt as proof of purchase.

This guarantee is invalid if the product is found to have been abused or tampered with in any way, or not used for the purpose for which it was intended. **Faulty goods should not be returned to the place of purchase**, the generator should be returned to the supplier of the product. No product can be returned without prior permission. This guarantee does not affect your statutory rights.

When contacting WPE about parts and/or service, you will need to supply the complete model and serial numbers of your product. Transcribe the information found on your product's nameplate label to the table below

WPE TECHNICAL SUPPORT TEAM
service@bpeholdings.co.uk
MODEL NUMBER
SERIAL NUMBER
DATE OF PURCHASE
PURCHASE LOCATION

IMPORTANT

1. Children should be kept at a safe distance from the generator and NEVER allowed to operate it.
2. Your new generator needs a break in period of approx. 10 hours with NO more 75% maximum load being applied. After first 10 hours the oil MUST be changed, recommended oil 10W30 low or Non Synthetic.
3. Don't touch the engine or muffler while generator is in operation. Please pay attention to warning and caution stickers on the generator.
4. Electrical equipment (including cable and plug connecting component) should be in good condition before starting and inspected prior to use.
5. If replacing circuit breaker it must be equivalent or better in specification of the one to be removed.
6. Due to high mechanical stress, only rubber sheathed cables are recommended to be used.
7. When using extension cords or mobile distribution cabinet, the wire with 1.5mm² cross section should not be longer than 50 metres; and for 2.5mm² cross section wire should not be longer than 100 metres in length.
8. With manual starting, always use decompression lever. (ONLY on Open Frame Type)
9. On standard working ambient conditions (minus 5 to 40 degree Centigrade), the generator can be operated at normal running loads. If the working condition of circumstance are not normal either too high or too low, the generator should be run at a lower output of no more than 75% maximum load. When temperature, altitude and humidity is higher than standard working condition, the generator MUST reduce the output load to no more than 75% maximum load.
10. Before any inspection or maintenance of the generator, the engine must be stopped and allowed to cool for a minimum 30 minutes. Check and maintain the generator according to the period table and schedule sheet in the manual.
11. Except the daily maintenance or cleaning, any inspection or readjustment should be conducted by authorized professional person and source the requested original components by them from the supplier. (Contact your local dealers).
12. Your newly overhauled machine must endure a breaking-in period of at least 10 hours, the output should not exceed 75% of the maximum load.

FEATURES

WPE Diesel generator possesses the following features:

This series diesel generator adopts super-light type, air cooled, 4-stroke direct injection diesel engine and has two starting options:

1. Recoil start
2. Electric start.

They are equipped with large capacity fuel tank, circuit protector, A.C and sometimes D.C voltage outputs, low oil pressure alarm and automatic stopping device.

The diesel generator serves as an UPS stand-by power supply in many different applications including open working site, construction and field army. Emergency power of poultry farm, fishery, forestry, garden, hotel, shop, and office.

This operation manual tells you how to operate and service your new diesel generator. Please read it before using the diesel generator to ensure proper handling and operation. Following these instructions carefully will keep your diesel generator in the best working condition, allowing to prolong the life of your diesel generator.

If you have any questions concerning your new product or any of the information given in this manual, please contact service@bpeholdings.co.uk.

PARAMETERS

The generators can generate specified power when used in the following conditions:

Altitude: < 1000m

Ambient Temperature: 5 to 40°C

Relative humidity: <90%

WARNING

Exhaust/mufflers and gases are very hot to touch. DO NOT add or install any exhaust/muffler extensions, by doing so you will void any warranty offered.

Preventing burns

NEVER touch or handle exhaust/muffler, engine when generator is running or hot, always leave approx 30 minutes for the exhaust/muffler & engine to cool before handling.

WARNING

If your generator is to be used with an ATS panel it will need to be primed or ran once a month otherwise fuel drain and(or) fuel deterioration will occur causing the generator not to start and ATS panel to fault.

NEVER try to install this generator on any other ATS system it will not work and most likely damage the unit.

All electrical installations MUST be carried out by an approved qualified electrician. Never try to do this yourself.

IMPORTANT

Please read and understand this operation manual to insure safe operation, and pay high attention to the following main points of operation otherwise it may cause personal injury and damage to equipment.

Preventing fires

The fuel of diesel engine is light diesel fuel, so gasoline, kerosene etc. must NEVER be used.

Wipe away all fuel spills with a clean cloth. Keep gasoline, kerosene, matches and other explosives and inflammable substance away from the generator, because the temperature around the exhaust muffler is very high during operation. To prevent fire hazards and to provide adequate ventilation, keep the generator at least 1.5 meter away from buildings, structures and other equipment during operation.

Operate the generator on a flat level surface, there may be fuel spillage or poor operation if the generator is tilted.

Preventing exhaust gas inhalation

Exhaust gas contains poisonous carbon monoxide. Always use the generator in outdoor locations minimum 1.5m anyway from window, doors or opening.

Generators MUST never be used indoors, in garages, cabins, out building, sheds or any confined spaces including vehicles and vehicle compartments.

Electric shocks, short circuits

In order to avoid electric shocks or short circuit, do not touch the generator, when either it or your hands are wet.

This generator is not waterproof, so it should NEVER be used in a place exposed to rain, snow or water sprays. The generator should be ground to prevent electric shocks. Please connect a length of heavy wire between the generator's ground terminal and an external ground device, ground rod or stake - minimum 200mm deep.

Do not connect any equipment to the generator before you start it.

⚠ WARNING

Most appliance motors require more than their rated wattage for start up. Do not exceed the current limit specified for any one socket.

Charging the battery

Battery electrolyte contains sulphuric acid. Protect your eyes, skin and clothing. In case of contact, flush thoroughly with water and get prompt attention, especially if your eyes are affected.

Batteries generate hydrogen gas, which can flames or sparks near a battery, especially during charging.

Charge the battery in a fully ventilated area.



⚠ WARNING

Know how to stop the generator quickly, and understand how to operate all of the controls. Never permit anyone to operate the generator without proper instruction.

Always wear a helmet, safety shoes and proper clothing. Keep pets and children away from the generator when it is in operation.

🗨 NOTICE

Nothing effects the performance and durability of the generator more than the oil you use. If inferior oil is used or if your engine oil is not changed regularly, the risk of piston seizure, piston ring sticking and accelerated wear of the cylinder liner, bearings and other moving components increase significantly.

PREPARATION BEFORE START

Selection and handling of fuel

- Only light diesel fuel can be used.
- The fuel must be filtered .
- Fuel should be free of water or dust because these can contaminate the fuel injection system.
- Do not overfill the tank beyond the top of the red plug inside the fuel tank filter, use fuel gauge on top of tank.
- Do not smoke and allow sparks in the area where the engine is refueled or where gasoline is stored.
- Do not spill fuel when refueling, make sure the filter cap is securely closed.

- Make sure to check the oil level and to refill with oil to the specified level before starting the generator, even though it is equipped with a low oil pressure warning system.
- If your generator doesn't start by the 5th attempted or starts and cuts out, your oil level is to low and needs to topped up.

🗨 NOTICE

Oil should be changed after the first 20 hours (or 1 month) of use and then every 3 months or 100 hours of use.

Be sure to drain the oil while the engine is warm but not hot . It is difficult to drain the oil completely after cooling.

Selection and handling of oil

- Check oil level before every operation.
- Set the generator on a level surface.
- Open the door to find the oil dip stick.
- To check the oil level, simply dip the dipstick into the pan. Do not screw in the dipstick when checking.

⚠ WARNING

NEVER add or attempt to change oil into the generator while the engine is running.

Check air filter

- Loosen the wing nut, detach the cover of air cleaner and remove the element. Do not wash air cleaner element with detergent . Use water or petrol (MUST allow to dry before replacing).

- The air cleaner element must be changed when the output of engine decreases or the color of exhaust is abnormal.
- Never run the generator without the air cleaner element. This may cause rapid engine wear.
- Reattach the cover of air cleaner and tighten the wing nut.

Ensure no load on generator

- Turn off the main circuit breaker and any other loads.
- Be sure to turn off the main circuit breaker before starting the generator. If the switch is not on the "OFF" position, sudden application of load could be very dangerous, when the diesel engine is started.
- The generator should be earthed to prevent electric shocks. (Recommended).

Handling of dual voltage type generator

- Operation of change over switch: The AC circuit breaker on the control panel must be set to 'OFF' position before running the machine. After starting the generator, allow the speed to reach rated RPM and then turn the AC circuit breaker to the "ON" position, so that the receptical sockets can be used for operating equipment.
- NEVER try to switch between voltages when the AC circuit breaker is ON and equipment plugged IN.
- Set the main AC circuit breaker to the "OFF" position when using the 12v DC power supply.

Check for Airlock

WARNING

The FUEL and engine OIL are drained off by factory prior to transportation. Generators are dry for storage.

- Check for airlock in fuel pipeline, and find whether there is air mixed into the pipeline, if yes, drain away the air from the pipeline before refuel and start the diesel engine.
- Fuel filter should be minimum 75% full, if not then air may be present in system.
- The method to remove is, loosen the 17mm gland nut connection between injecting pump and high pressure brass pipeline, put run lever to "RUN" position and turn over the engine until fuel starts to jet out.
- Replace and re-tighten 17mm gland and repeat the process if engine still does not start.

OPERATION

Preheater Feature

This generator is equipped with a Preheater button function for cold temperatures less than 0°C, this feature is designed to warm the engine and oil up first using the 12v DC power provided from the battery prior to the engine being cranked over.

If the outside temperature is less than 0°C it is recommended to use the preheater function button first before starting the engine.

1. Turn the Ignition key to the 'ON' position
2. Press and hold the preheater button for minimum 5 secs until the solid red illumination light appears
3. Release the button and start generator normally using key or remote (Wireless remote models Only)

If the generator fails to start repeat steps 1-3 maximum 3 times only, if the generator doesn't start after 3 attempts contact your local service agent.

Low oil warning system

- Device works to stop the engine automatically when the oil pressure falls below the regulatory level and will prevent engine seizure when the engine oil is running low or engine pressure is lost.
- The oil temperature will rise high if the engine is operated with insufficient engine oil. On the other hand, too much oil is dangerous because the oil may combust and cause a sudden and excessive rise in engine rpm, so before operating the machine each day be sure to check the oil and fill oil to the specified level if necessary.

Low Oil Warning Light

Your generator is equipped with a low oil warning light.

If the event the light is illuminated 'Solid Red' then your generator requires oil to be added immediately.

1. Stop running application immediately and turn off engine and allow to cool for approx 10-15mins.
2. Remove oil level dipstick and clean.
3. Add oil, using an oil funnel (not provided) and check using oil level dipstick (as good general rule oil is full when it can be visually seen on the middle/upper threads of the port). If using the oil dipstick NEVER screw in oil level dipstick to take a reading simply rest against top of the port and view reading.
4. Screw back in oil level dipstick
5. Run the engine for 10mins without any load allowing the oil to fully circulate.
6. Check oil level again

Failure to add the recommended oil capacity may result in increased engine wear and(or) damage to the engine.

Opening the cabinet door and cover.

Opening the cabinet door and raise the door and check daily.

7. Turn the handle anticlockwise to open cabinet door.
8. Turn the handle clockwise to lock cabinet door.

Break-in operation

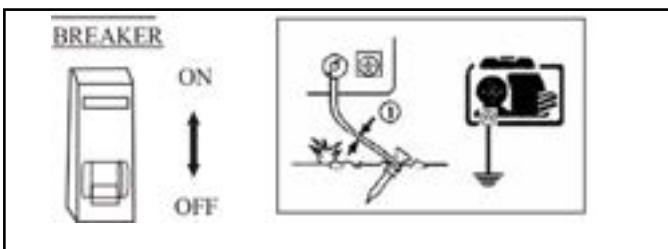
While your generator is still new, application of heavy loads may shorten the life of the engine. Follow the break-in procedures during the first 20 hours.

1. Avoid applying any heavy load during the break-in period.
2. Change engine oil regularly. Change the engine oil every 20 hours or one month after the initial use, and every 3 months or 100 hours thereafter.

Starting the generator

Electric Start

1. Turn the AC circuit breaker switch to "OFF" position, Make sure the generator is grounded recommended 200mm earth rod.



2. Turn the starting key to the "Start" position. (for no more than 8 seconds).
3. Remove your hand from the key as soon as the engine starts and let the key return automatically to the 'ON' initial position.

⚠ WARNING

If the starting motor doesn't start, please wait at least 30 seconds before attempting to start again.

⚠ WARNING

Please Note: If the starting motor is run for too long it will flatten the battery.

Battery

Check the level of the fluid in the battery once every month. When the level drops to the lower upper mark replenish with distilled water up to the upper mark.

If battery fluid is low, the engine may fail to start because too little electricity is reaching the starter motor. Always keep the fluid level between the upper level and lower level.

If too much battery fluid is applied, the fluid may spill and corrode the surrounding parts. DO NOT over fill.

Batteries are only covered by a 1 year warranty from original date of purchase.

Operating your generator

1. Warm up the engine without load for about 10 minutes.
2. Our generator is equipped with low oil warning system. The engine will stop automatically in case of low oil pressure or a lubrication oil shortage. The engine will stop immediately if restarted without a lubrication oil refill. Check the oil level and refill if necessary.
3. Do not loosen or readjust either the engine speed limiting bolt or fuel injection limiting bolt (They have been factory set) otherwise performance and fuel economy will be affected.

Check during operation

1. Any abnormal sound or vibration?
2. The engine misfiring or running rough.
3. What about the color of the exhaust gas? (Is it black or too white?)

If you notice any of the above phenomenon, stop the engine and consult your nearest dealer or contact technical support on service@bpeholdings.co.uk.

AC Operation

1. Start the engine and make sure the 'GREEN' pilot lamp turns on. If it does not, the filament may be burnt out.
2. The speed of generator must reach rated speed (lever at top).
3. Generator can load when the indicator of voltmeter shows at $240 \pm 10\%$ (50Hz) on the panel of control box.
4. Plug in the appliance.

⚠ WARNING

Do not start two or more machines simultaneously. Start them one by one. Do not use floodlights together with other machines.

5. Be sure that all pieces of equipment are in good working condition before connecting them to the generator.
6. If an appliance or piece of equipment begins to operate abnormally, becomes sluggish, or stops suddenly, turn off the generator immediately. Then disconnect the appliance and examine it for signs of malfunction.
7. If overloading of the circuit trips the AC circuit protector, reduce the electrical load on the circuit, and wait a few minutes before resuming operation.
8. If the LCD display voltmeter is too low or too high, stop the machine and examine it for cause of fault.

Voltage Selector Switch

Your generator is supplied with a new 3 way voltage selector switch. (Single Phase UK Models Only)

1. Turn the voltage selector switch to position '0' when generator is not in use or being starting.
2. Push the circuit breaker to 'OFF' position.
3. Start up the generator and allow engine to stabilize for approx 5 minutes..
4. Plug in your electrical equipment and turn 'ON' the piece of equipment.
5. Turn the voltage selector switch to either position 1 or 2 for the required voltage. Read the voltage display for the correct voltage output.
6. Push the circuit breaker to the 'ON' position.
7. Check power to the equipment by operating it.
8. To change selected voltage, first turn 'OFF' equipment and disconnect the plug from the generator socket.
9. Choose new equipment and voltage repeat steps 1-7
10. Never switch between position 1 or 2 whilst equipment is plugged in, always disconnect equipment before changing voltage.
11. When not in use always turn the switch to '0' and disconnect equipment or push circuit breaker to 'OFF' position.

ATS function

Your generator may be equipped with ATS input socket, this can ONLY be connected up to a Warrior ATS panel

(190102000010). NEVER try to install it on any other system it will not work and most likely damage the unit.

All electrical installations MUST be carried out by an approved qualified electrician never try to do this yourself.

⚠ WARNING

Note: If you receive a fault on first or second attempt it could be an issue with fuel supply (Investigate, clear and retry).

If you receive a fault after 3 attempts it could be an issue with ATS panel or the generator and needs investigating.

If your generator is to be used with ATS panel it will need to be manually primed weekly and run once a month otherwise fuel drain and/or fuel deterioration will occur causing the generator not to start and ATS panel to fault.

If this occurs investigate and clean the fuel injection system.

Testing using the ATS function

1. Turn key to 'OFF' position
2. Prime fuel filter manually
3. Start generator by turning key to 'START' position (clockwise) and release once engine starts, allow to warm up for 5-10mins
4. Stop generator by turning key to 'OFF' position.
5. Connect communication lead (Supplied in ATS panel)
6. Connect up generators outgoing power
7. Turn off the main incoming city power
8. After approx 6 seconds the generator will attempt to start (3 attempts).
9. If in the event the generator doesn't start on the first attempt it will try 2 more times and then fault.

Stopping the generator

1. DO NOT stop the generator when it is under load. It will damage the generator or equipment.
2. Turn off the AC circuit breaker.
3. Turn the ignition key anticlockwise to "OFF" position.

MAINTENANCE

Periodic check and maintenance are very important for keeping the engine in good condition. Please read the detailed description of operating manual for each part.

Shut off the engine before performing any maintenance. If the engine must run, make sure the area is well

ventilated. The exhaust contains poisonous carbon monoxide gas.

After the engine has been used, clean it immediately with a cloth to prevent corrosion and remove sediment.

DAILY

- Check oil level
- Check and replenish fuel
- Check for oil leakage
- Battery Liquid
- Air Cleaner
- Check and tighten and engine parts if loose

FIRST 20 HOURS

- Change oil
- Clean Oil Filter

EVERY 100 HOURS OR 3 MONTHS

- Change oil
- Change oil filter
- Change fuel filter
- Clean Air Filter
- Check/Adjust valve clearance*

EVERY 2 YEARS

- Replace fuel line*

*Special tools or skills are required - please do not attempt yourself - consult Technical Support on service@bpeholdings.co.uk. (charges may apply)

Changing engine oil (Every 100Hrs)

Refill with the recommended oil 10W30 Non or part synthetic.

1. Open left door, use the fork to release the drain plug (don't take out screw), put the oil guide groove under the drain plug, let its outlet connect with oil container, then completely remove the oil drain plug.
2. Begin to release out the oil and when the oil sump is empty, if necessary, use the diesel to clean the inside of the cylinder block.
3. Replace the drain plug.



4. Move the plastic rounded lid on the top of generator, unscrew the cylinder head oil cap, fill the oil until reach the oil gauge max limited in the end screw back the cylinder head stud.



Cleaning the air filter (Every 100 hours)

Move the upper plate and back cover of the generator, you will see the air cleaner. release the clip, unload the lower half part of the air cleaner, and take out the filter element in the middle; wash the filter element with diesel fuel and put it back in the air cleaner after it is dry.



Checking and replenishing battery fluid and charging and battery (Monthly)

This diesel engine uses a 12v battery. The battery fluid will be lost through continuous charging and discharging.

Before starting , check for physical damage to the battery and also the electrolyte level, and replenish with distilled water up to the upper mark if necessary. When actual damage is discovered , replace the battery immediately. Batteries are covered by 12 months warranty from the original date of purchase.

STORAGE

If your generator should be stored in long time, the following preparation should be made.

1. Operate the diesel engine about 10 minutes with NO load and stop it.
2. Wait approx. 10 mins when the engine is still warm, drain engine oil out, then refill new 10W30 engine oil.

TROUBLESHOOTING

Problem	Cause	Solution
Engine will not start.	No fuel.	Add fuel.
	The battery is flat	Recharge or replace
	Check oil level	Add oil if needed
	Valve clearance is not correct	Adjust the clearance as per operational manual
	Piston ring worn or rings in wrong place	Change and adjust piston ring
	Bolts of cylinder head are not tight	Tighten the bolts
Engine is running but no output.	AC circuit breaker is turned 'OFF'	Put the main AC switch to the "ON" position
	The contact of socket is not good	Adjust the feet of socket
	AVR is broken	Replace AVR
	Other.	Contact Technical Support service@bpeholdings.co.uk.

EN

TECHNICAL SPECIFICATIONS

MODEL:	LDG12S	LDG15S	LDG12S3	LDG15S3
Type	Single Phase A.C		3 Phase	
Frequency (Hz)	50			
Rated Power (kW)	10	12	10	12
Max Power (kW)	11	13	11	13
Voltage (A.C)	110,115,120, 220,230,240,120/240		220/380,240/415	
Power Factor	0.8	1.0	0.8	1.0
Engine	LA290F	LA292FA-C	LA290F	LA292FA-C
Engine Type	4 Stroke, Twin cylinder, air cooled			
Engine CC	954	1064	954	1064
Engine Bore	90	92	90	92
Engine Stroke	75	80	75	80
Speed (rpm)	3000			
Start System	Electric Start			
Noise dBA	<96	<85	<96	<85
Noise at 7m dBA	<69	<75	<69	<75
Oil Capacity (L)	3			
Fuel	Diesel			
Fuel Capacity (L)	50	35	50	35
Fuel Consumption g/kWh	<350	<310	<350	<310
Operation capacity (hr)	<12			
Nett Weight (kg)	295	260	295	260
Dimensions (L x W x H) mm	1175 x 695 x 1025	1120 x 725 x 960	1175 x 695 x 1025	1120 x 725 x 960

WARRANTY

We at Warrior understand the importance of warranty for service & repair, we are now offering a standard 2 Year (Warrior Diesel Generators) without the need for registering your purchase. We still have the option for product registration for customer who still would like to use the website and to keep in touch with ourselves.

Please view the limitations below and read the full T&C's about the warranty offered on a particular product.

All we require is the either a copy of the original proof of purchase or an invoice supplied from retailer at the time of purchase to enable the claim to be raised. Please keep your proof of purchase safe for the duration of your terms, in the unfortunate event you need our technical support we will ask for this to be provided on each claim, NO proof of purchase any warranty claim will be delayed or rejected.

Repair / Replacement Warranty

Warrior branded diesel generators warrants to the original purchaser up to 2 Years for domestic usage that the mechanical and electrical components will be free of defects in material and workmanship for a period of Year One (1) [Parts and Labour] Year Two (2) [Parts Only] from the original date of purchase or 1000 hours which ever comes first.

Industrial & Commercial Use One Year (1) [Parts and Labour] or 500 hours which ever comes first.

Transportation charges on any product submitted for repair or replacement under this warranty are the sole responsibility of the purchaser. This warranty only applies to the original purchaser and is not transferable.

Do Not Return the Unit to the Place of Purchase

Contact Warrior Technical Service and we will troubleshoot any issue via phone or e-mail. If the problem is not corrected by this method, Warrior will, at its option, authorise evaluation, repair or replacement of the defective part or component at our own Service Center. If and when an product has to be replaced it will be on a like for like basis not old for new. Warrior will provide you with a case number for warranty service and this can be monitored through your login account. Please keep it for future reference. Repairs or replacements without prior authorization, or at an unauthorized repair facility, will not be covered by this warranty. We do have warranty exclusions for customers outside the United Kingdom please see our full T&C's.

Warranty Exclusions

This warranty DOES NOT cover the following:

Normal Wear

Your product needs periodic parts and service to perform well. This warranty does not cover repair when normal use has exhausted the life of a part or the equipment as a whole.

Installation, Use and Maintenance

This warranty will not apply to parts or labour if your product is deemed to have been misused, neglected, involved in an accident, abused, overloaded beyond the generator's limits, modified, installed improperly or connected incorrectly to any electrical component or system. Normal maintenance is not covered by this warranty.

Other Exclusions

This warranty excludes:

- cosmetic defects such as paint, decals, etc.,
- worn parts including piston & rings, spark plugs, filters
- accessory parts including wheels & recoil assemblies
- failures due to acts of God and other force majeure events beyond the manufacturer's control
- problems caused by parts that are not original Warrior Power Equipment parts
- alteration or modification(s) made by any party other than the manufacturer including exhaust extension and filtration systems.
- all hoses plastic or rubber, reducing valves and regulators
- any third party electrical equipment

12v Battery

- All batteries supplied Over 1 Year Old.

Suitable Transfer Switch

Any MTS (Manual Transfer) & ATS (Automatic Transfer) systems other than ones supplied by ourselves under WARRIOR or Warrior will not be considered suitable and will invalidate all warranties given. Please contact us direct before installing any Transfer system.

Limits of Implied Warranty and Consequential Damage

Winch Solutions Ltd (CG) disclaims any obligation to cover any loss of time, use of this product, freight, or any incidental or consequential claim costs by anyone using this product.

THIS WARRANTY IS IN LIEU OF ALL OTHER WARRANTIES, EXPRESS OR IMPLIED, INCLUDING WARRANTIES OF MERCHANTABILITY OR FITNESS FOR A PARTICULAR PURPOSE.

A unit provided as an exchange will be subject to the warranty of the original unit. The length of the warranty governing the exchanged unit will remain calculated by reference to the purchase date of the original unit. This warranty gives you certain legal rights which may change from country to country. Your country may also have other rights you may be entitled to that are not listed within this warranty.

EINLEITUNG

Vielen Dank, dass Sie unser Produkt gekauft haben.

Auf dieses Produkt gewähren wir eine 24-monatige Garantie gegen Herstellungsfehler ab dem Kaufdatum. Bitte bewahren Sie Ihre Kaufquittung als Beleg für den Kauf auf.

Diese Garantie ist ungültig, wenn das Produkt in irgendeiner Weise missbräuchlich verwendet, manipuliert oder nicht für den vorgesehenen Zweck verwendet wurde. **Defekte Produkte sollten nicht an den Händler**, sondern der Generator sollte an den Lieferanten des Produkts zurückgegeben werden. Kein Produkt kann ohne vorherige Genehmigung zurückgegeben werden. Diese Garantie schränkt Ihre gesetzlichen Rechte nicht ein.

Wenn Sie sich wegen Ersatzteilen und/oder Service an WPE wenden, müssen Sie die vollständige Modell- und Seriennummer Ihres Produkts angeben. Übertragen Sie die Informationen, die Sie auf dem Typenschild Ihres Produkts finden, in die folgende Tabelle.

WPE TECHNISCHER SUPPORT
service@bpeholdings.co.uk
MODELLNUMMER
SERIENNUMMER
KAUFDATUM
ORT DES KAUFES

WICHTIG

1. Kinder dürfen den Generator NIEMALS bedienen und müssen sich in sicherer Entfernung von ihm aufhalten.
2. Ihr neuer Generator benötigt nach einer Betriebsdauer von 10 Stunden eine Ruhephase, in der er NICHT mit mehr als zu 75% der maximalen Last belastet wird. Nach den ersten 10 Betriebsstunden MUSS das Öl gewechselt werden, empfohlenes Öl 10W30 („Low“ oder „Non Synthetic“).
3. Berühren Sie nicht den Motor oder den Auspuff, wenn der Generator in Betrieb ist. Bitte beachten Sie die Warn- und Hinweisaufkleber auf dem Generator.
4. Die elektrischen Geräte (einschließlich der Kabel und der Steckverbindungen) müssen sich in einem guten Zustand befinden und vor der Inbetriebnahme überprüft werden.
5. Wenn ein Schutzscharter ausgetauscht wird, muss dieser den gleichen Anforderungen entsprechen oder besser sein als der, der entfernt wird.
6. Aufgrund der hohen mechanischen Belastung wird empfohlen, nur Kabel mit Gummiummantelung zu verwenden.
7. Beim Einsatz von Verlängerungskabeln oder mobilen Verteilerschränken sollte das Kabel mit einem Querschnitt von 1,5 mm² nicht länger als 50 Meter sein; bei einem Querschnitt von 2,5 mm² nicht länger als 100 Meter.
8. Beim manuellen Start immer den Dekompressionshebel betätigen. (NUR bei Open-Frame-Typ)
9. Bei normalen Umgebungsbedingungen (minus 5 bis 40 Grad Celsius) kann der Generator bei normaler Betriebslast betrieben werden. Wenn die Temperatur entweder zu hoch oder zu niedrig ist, sollte der Generator mit einer geringeren Leistung von nicht mehr als 75% der maximalen Last betrieben werden. Wenn die Temperatur, die Höhe und die Luftfeuchtigkeit höher sind als die Standardbetriebsbedingungen, MUSS die Ausgangslast des Generators auf höchstens 75% der maximalen Last reduziert werden.
10. Vor jeder Inspektion oder Wartung des Generators den Motor abstellen und mindestens 30 Minuten abkühlen lassen. Den Generator gemäß der Tabelle und dem Zeitplan im Handbuch überprüfen und warten.
11. Mit Ausnahme der täglichen Wartung und Reinigung sollte jede Inspektion oder Anpassung von autorisiertem Fachpersonal durchgeführt werden, das die erforderlichen Originalteile vom Lieferanten bezieht. (Kontaktieren Sie Ihren Händler vor Ort).
12. Die frisch revidierte Maschine muss eine Einlaufphase von mindestens 10 Stunden überstehen, wobei die Leistung 75% der maximalen Last nicht überschreiten sollte.

FUNKTIONEN

Der WPE Dieselgenerator hat folgende Funktionen:

Bei dieser Serie handelt es sich um extrem leichte, luftgekühlte Dieselmotoren mit Direkteinspritzung, die über zwei Startoptionen verfügen:

1. Anreißstarter
2. Elektrischer Starter.

Sie verfügen über einen Kraftstofftank mit großem Fassungsvermögen, einen Stromkreisschutz, Wechsel- und manchmal Gleichspannungsausgänge, einen Alarm für niedrigen Öldruck und eine automatische Abschaltvorrichtung.

Der Dieselgenerator dient als USV-Notstromversorgung in vielen verschiedenen Anwendungen, unter anderem auf Baustellen, bei der Armee usw. Notstromversorgung für Geflügelzucht, Fischerei, Forstwirtschaft, Garten, Hotel, Geschäft und Büro.

In diesem Handbuch erfahren Sie, wie Sie Ihren neuen Dieselgenerator bedienen und warten können. Bitte lesen Sie es, bevor Sie den Dieselgenerator in Betrieb nehmen, um eine korrekte Handhabung und Bedienung sicherzustellen. Wenn Sie diese Anweisungen sorgfältig befolgen, bleibt Ihr Dieselgenerator in einem optimalen Betriebszustand und Sie können die Lebensdauer des Gerätes verlängern.

Wenn Sie Fragen zu Ihrem neuen Produkt oder zu den in diesem Handbuch enthaltenen Informationen haben, wenden Sie sich bitte an service@bpeholdings.co.uk.

KENNZAHLEN

Die Generatoren können die angegebene Leistung erzeugen, wenn sie unter den folgenden Bedingungen eingesetzt werden:

Höhe: < 1000m

Umgebungstemperatur: 5 bis 40°C

Relative Luftfeuchtigkeit: <90%

WARNUNG

Auspuff/Auspufftopf und Gase können sehr heiß sein. KEINE Auspuff-/Auspufftopfverlängerungen hinzufügen oder montieren, da dadurch jegliche Garantie erlischt.

Verbrennungen verhindern

Berühren Sie NIEMALS den Auspuff/Auspufftopf oder den Motor, wenn der Generator läuft oder heiß ist. Lassen Sie den Auspuff/Auspufftopf und den Motor immer ca. 30 Minuten abkühlen, bevor Sie ihn anfassen.

WARNUNG

Wenn Ihr Generator mit einem ATS-Panel verwendet werden soll, muss er einmal im Monat entlüftet oder betrieben werden, da sonst der Kraftstoff abläuft und/oder sich der Kraftstoff verschlechtert, was dazu führt, dass der Generator nicht startet und das ATS-Panel eine Störung aufweist.

Versuchen Sie NIEMALS, diesen Generator an einem anderen ATS-System zu installieren, es wird nicht funktionieren und höchstwahrscheinlich das Gerät beschädigen.

Alle elektrischen Installationen MÜSSEN von einem zugelassenen, qualifizierten Elektriker durchgeführt werden. Versuchen Sie niemals, dies selbst zu tun.

WICHTIG

Lesen Sie diese Bedienungsanleitung aufmerksam durch, um einen sicheren Betrieb zu gewährleisten, und achten Sie besonders auf die folgenden Hauptpunkte, da es sonst zu Verletzungen und Schäden am Gerät kommen kann.

Brände verhindern

Der Kraftstoff für den Dieselmotor ist leichter Dieselkraftstoff, daher dürfen Sie NIEMALS Benzin, Kerosin usw. verwenden.

Wischen Sie verschütteten Kraftstoff mit einem sauberen Tuch auf. Achten Sie darauf, dass Benzin, Kerosin, Streichhölzer und andere explosive und brennbare Stoffe nicht in die Nähe des Generators gelangen, da die Temperatur im Bereich des Auspufftopfes während des Betriebs sehr hoch ist. Um Brandgefahren zu vermeiden und eine ausreichende Belüftung zu gewährleisten, sorgen Sie dafür, dass der Generator während des Betriebs mindestens 1,5 Meter von Gebäuden, Strukturen und anderen Geräten entfernt ist.

Betreiben Sie den Generator auf einer ebenen Fläche. Wenn der Generator schief steht, kann Kraftstoff verschüttet oder der Betrieb beeinträchtigt werden.

Einatmen von Abgasen verhindern

Die Abgase enthalten giftiges Kohlenmonoxid. Verwenden Sie den Generator immer im Freien, mindestens 1,5 m von Fenstern, Türen oder Öffnungen entfernt.

Generatoren DÜRFEN NIEMALS in Innenräumen, Garagen, Hütten, Nebengebäuden, Schuppen oder anderen geschlossenen Räumen, einschließlich Fahrzeugen und Fahrzeugabteilen, verwendet werden.

Stromschläge, Kurzschlüsse

Um Stromschläge oder Kurzschlüsse zu vermeiden, sollten Sie den Generator nicht mit nassen Händen anfassen.

Dieser Generator ist nicht wasserdicht und sollte daher NIEMALS an Orten verwendet werden, die dem Einfluß von Regen, Schnee oder Wasserspritzern ausgesetzt sind. Der Generator sollte geerdet sein, um Stromschläge zu vermeiden. Verbinden Sie ein dickes Kabel zwischen dem Erdungsanschluss des Generators und einer externen Erdungsvorrichtung, einem Erdungsstab oder -spieß - mindestens 200 mm tief.

Schließen Sie keine Geräte an den Generator an, bevor Sie ihn starten.

⚠️ WARNUNG

Die meisten Motoren von Geräten benötigen zum Starten mehr als ihre Nennleistung. Überschreiten Sie nicht die für eine einzelne Steckdose angegebene Obergrenze für den Strom.

Aufladen der Batterie

Batterieelektrolyt enthält Schwefelsäure. Schützen Sie Ihre Augen, Haut und Kleidung. Bei Kontakt spülen Sie alles gründlich mit Wasser aus und suchen Sie umgehend einen Arzt auf, insbesondere wenn Ihre Augen betroffen sind.

Batterien erzeugen Wasserstoffgas, wodurch es in der Nähe einer Batterie zu Entzündungen oder Funkenbildung kommen kann, insbesondere beim Laden.

Laden Sie den Akku in einem gut belüfteten Bereich auf.

⚠️ WARNUNG

Informieren Sie sich darüber, wie Sie den Generator schnell abschalten können und wie die einzelnen Bedienelemente funktionieren. Erlauben Sie niemandem, den Generator ohne entsprechende Anleitung zu bedienen.

Tragen Sie immer einen Helm, Sicherheitsschuhe und angemessene Kleidung. Achten Sie darauf, dass Haustiere und Kinder nicht in die Nähe des Generators gelangen, wenn dieser in Betrieb ist.

VORBEREITUNG VOR DEM START

Auswahl und Verwendung von Kraftstoff

- Es darf nur leichter Dieseldieselkraftstoff verwendet werden.
- Der Kraftstoff muss gefiltert werden.
- Der Kraftstoff darf kein Wasser oder Staub enthalten, da diese das Einspritzsystem verunreinigen können.

- Achten Sie darauf, dass Sie den Tank nicht über die Oberkante des roten Stopfens im Kraftstofftankfilter hinaus auffüllen. Verwenden Sie die Tankanzeige oben auf dem Tank.
- In dem Bereich, in dem der Motor aufgetankt wird oder in dem Benzin gelagert wird, ist Rauchen verboten und es dürfen keine Funken entstehen.
- Achten Sie darauf, dass Sie beim Tanken keinen Kraftstoff verschütten und der Filterdeckel fest verschlossen ist.

Auswahl und Verwendung von Öl

- Prüfen Sie den Ölstand vor jedem Einsatz.
- Stellen Sie den Generator auf eine gerade Fläche.
- Sie finden den Ölmesstab, wenn Sie die Tür öffnen.
- Um den Ölstand zu prüfen, tauchen Sie einfach den Ölmesstab in die Ölwanne. Schrauben Sie den Ölmesstab beim Prüfen nicht ein.



🗨️ HINWEIS

Nichts beeinflusst die Leistung und Lebensdauer des Generators mehr als das Öl, das Sie verwenden. Wenn Sie qualitativ minderwertiges Öl verwenden oder das Motoröl nicht regelmäßig wechseln, erhöht sich das Risiko von Kolbenfressern, klebenden Kolbenringen und beschleunigtem Verschleiß von Zylinderlaufbuchsen, Lagern und anderen beweglichen Komponenten erheblich.

- Prüfen Sie unbedingt den Ölstand und füllen Sie Öl bis zum vorgeschriebenen Pegel nach, bevor Sie den Generator starten, auch wenn er mit einem Warnsystem für niedrigen Öldruck ausgestattet ist.
- Wenn Ihr Generator beim 5. Versuch nicht anspringt oder nach dem Start ausfällt, ist der Ölstand zu niedrig und muss nachgefüllt werden.

HINWEIS

Das Öl sollte nach den ersten 20 Betriebsstunden (oder 1 Monat) und dann alle 3 Monate oder 100 Betriebsstunden gewechselt werden.

Lassen Sie das Öl ab, wenn der Motor warm, aber nicht heiß ist. Nach dem Abkühlen ist es schwierig, das Öl vollständig abzulassen.

! WARNUNG

NIEMALS bei laufendem Motor Öl in den Generator einfüllen oder versuchen, es zu wechseln.

Luftfilter prüfen

- Die Flügelmutter lösen, den Deckel des Luftfilters abnehmen und das Element entfernen. Das Luftfilterelement nicht mit einem Reinigungsmittel waschen. Wasser oder Benzin verwenden (MUSS vor dem Wiedereinsetzen trocken sein).
- Das Luftfilterelement muss ausgetauscht werden, wenn die Motorleistung nachlässt oder die Farbe der Abgase ungewöhnlich ist.
- Betreiben Sie den Generator niemals ohne das Luftfilterelement. Dies kann zu einem schnellen Verschleiß des Motors führen.
- Bringen Sie die Abdeckung des Luftfilters wieder an und ziehen Sie die Flügelmutter fest.

Sicherstellen, dass der Generator nicht belastet wird.

- Den Hauptstromkreisunterbrecher und alle anderen Lasten ausschalten.
- Stellen Sie sicher, dass der Hauptschalter ausgeschaltet ist, bevor Sie den Generator starten. Ist der Schalter nicht in der Position „OFF“, kann eine plötzliche Belastung beim Anlassen des Dieselmotors sehr gefährlich sein.
- Der Generator sollte geerdet sein, um Stromschläge zu vermeiden. (Empfohlen).

Bedienung eines Doppelspannungsgenerators

- Betätigung des Umschalters: Bevor Sie das Gerät in Betrieb nehmen, muss der Wechselstromschalter am Bedienfeld auf „OFF“ gestellt werden. Nach dem Start des Generators die Drehzahl auf Nenn Drehzahl hochfahren lassen und dann den Wechselstromschalter auf „ON“ schalten, damit die Steckdosen für den Betrieb von Geräten genutzt werden können.

- Versuchen Sie NIEMALS, zwischen den Spannungen umzuschalten, wenn der Wechselstromschalter eingeschaltet und das Gerät eingesteckt ist.
- Stellen Sie den Wechselstromhauptschalter in die Position „OFF“, wenn Sie die 12-V-Gleichstromversorgung verwenden.

Auf Luftschleuse prüfen**! WARNUNG**

Der KRAFTSTOFF und das MOTORENÖL werden vor dem Transport werksseitig abgelassen. Die Generatoren werden trocken gelagert.

- Prüfen Sie, ob sich Luft in der Kraftstoffleitung befindet. Falls ja, lassen Sie die Luft aus der Leitung ab, bevor Sie tanken und den Dieselmotor starten.
- Der Kraftstofffilter sollte zu mindestens 75% gefüllt sein, andernfalls kann sich Luft im System befinden.
- Die 17-mm-Stopfbuchsendichtung zwischen der Einspritzpumpe und der Hochdruck-Messingleitung lösen, den Starthebel in die Position „RUN“ stellen und den Motor drehen, bis der Kraftstoff herausspritzt.
- Die 17-mm-Stopfbuchsendichtung wieder einsetzen und anziehen und den Vorgang wiederholen, wenn der Motor immer noch nicht anspringt.

DE

BETRIEB**Vorwärmer-Funktion**

Dieser Generator ist mit einer Vorwärmer-Funktion für kalte Temperaturen unter 0°C ausgestattet. Diese Funktion dient dazu, den Motor und das Öl mit Hilfe der von der Batterie gelieferten 12-V-Gleichstromversorgung aufzuwärmen, bevor der Motor angelassen wird.

Wenn die Außentemperatur unter 0°C liegt, wird empfohlen, vor dem Anlassen des Motors zuerst die Vorwärmertaste zu betätigen.

3. Drehen Sie den Zündschlüssel in die Stellung „ON“.
4. Drücken Sie die Vorwärmertaste und halten Sie sie mindestens 5 Sekunden lang gedrückt, bis die rote Kontrollleuchte leuchtet.
5. Lassen Sie die Taste los und starten Sie den Generator normal mit dem Schlüssel oder der Fernbedienung (nur bei Modellen mit Fernbedienung).

Wenn der Generator nicht anspringt, wiederholen Sie die Schritte 1-3 maximal 3 Mal. Wenn der Generator nach 3 Versuchen nicht anspringt, wenden Sie sich an Ihren örtlichen Kundendienst.

Warnsystem für niedrigen Ölstand

- Das Gerät schaltet den Motor automatisch ab, wenn der Öldruck unter den vorgeschriebenen Wert fällt, und verhindert ein Blockieren des Motors, wenn das Motoröl zu niedrig ist oder der Motordruck abfällt.
- Wenn der Motor mit zu wenig Motoröl betrieben wird, steigt die Öltemperatur stark an. Allerdings ist ein zu hoher Ölstand gefährlich, da sich das Öl entzünden und einen plötzlichen und übermäßigen Anstieg der Motordrehzahl verursachen kann. Prüfen Sie daher vor jedem Einsatz der Maschine den Ölstand und füllen Sie bei Bedarf Öl bis zum vorgeschriebenen Pegel auf.

Warnleuchte für niedrigen Ölstand

Ihr Generator ist mit einer Warnleuchte für niedrigen Ölstand ausgestattet.

Wenn die Leuchte dauerhaft rot leuchtet, muss Ihrem Generator sofort Öl nachgefüllt werden.

1. Stoppen Sie sofort den Betrieb der Maschine, stellen Sie den Motor ab und lassen Sie ihn ca. 10-15 Minuten abkühlen.
2. Entfernen Sie den Ölmesstab und reinigen Sie ihn.
3. Füllen Sie Öl mit einem Öltrichter (nicht mitgeliefert) ein und prüfen Sie den Ölstand mit dem Ölmesstab (als allgemeine Regel gilt, dass das Öl voll ist, wenn es am mittleren/oberen Gewinde des Anschlusses zu sehen ist). Wenn Sie den Ölmesstab verwenden, schrauben Sie ihn NIEMALS ein, um den Ölstand abzulesen, sondern halten Sie ihn einfach oben am Anschluss an und sehen Sie sich den Stand an.
4. Schrauben Sie den Ölmesstab wieder ein.
5. Lassen Sie den Motor 10 Minuten lang ohne Last laufen, damit das Öl vollständig zirkulieren kann.
6. Prüfen Sie den Ölstand erneut.

Wird die empfohlene Ölmenge nicht nachgefüllt, kann dies zu erhöhtem Motorverschleiß und (oder) zu Schäden am Motor führen.

Tür und Deckel des Gehäuses öffnen.

Öffnen Sie die Schranktür, klappen Sie sie auf und überprüfen Sie sie täglich.

7. Drehen Sie den Griff gegen den Uhrzeigersinn, um die Schranktür zu öffnen.
8. Drehen Sie den Griff im Uhrzeigersinn, um die Schranktür zu verriegeln.

Einlaufphase

Solange Ihr Generator noch neu ist, können schwere Lasten die Lebensdauer des Motors verkürzen.

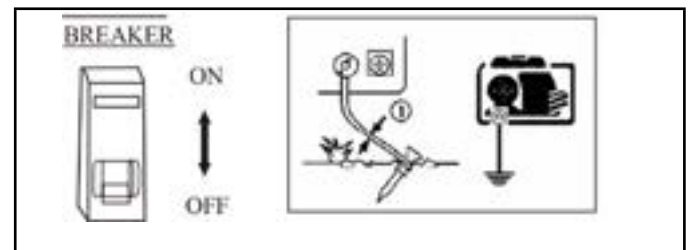
Halten Sie sich während der ersten 20 Stunden an die Anleitungen zum Einlaufen.

1. Vermeiden Sie während der Einlaufphase jede schwere Belastung.
2. Wechseln Sie regelmäßig das Motoröl. Wechseln Sie das Motoröl alle 20 Stunden oder einen Monat nach der ersten Benutzung und danach alle 3 Monate oder 100 Stunden.

Starten des Generators

Elektrischer Start

1. Schalten Sie den Wechselstromschalter in die Position „OFF“. Stellen Sie sicher, dass der Generator geerdet ist (empfohlener 200mm Erdungsstab).



2. Drehen Sie den Zündschlüssel auf die Position „Start“ (nicht länger als 8 Sekunden).
3. Nehmen Sie die Hand vom Schlüssel, sobald der Motor startet, und lassen Sie den Schlüssel automatisch in die Ausgangsposition zurückkehren.

⚠️ WARNUNG

Wenn der Startmotor nicht anspringt, warten Sie bitte mindestens 30 Sekunden, bevor Sie den Startvorgang wiederholen.

⚠️ WARNUNG

Hinweis: Wenn der Startmotor zu lange läuft, wird die Batterie entladen.

Batterie

Prüfen Sie den Flüssigkeitsstand in der Batterie einmal pro Monat. Wenn der Pegel auf die untere obere Markierung fällt, füllen Sie destilliertes Wasser bis zur oberen Markierung nach.

Wenn zu wenig Batterieflüssigkeit vorhanden ist, springt der Motor möglicherweise nicht an, da nicht genügend Strom zum Anlasser gelangt. Achten Sie darauf, dass der Pegel immer zwischen dem oberen und dem unteren Pegel liegt.

Wenn zu viel Batterieflüssigkeit aufgetragen wird, kann die Flüssigkeit auslaufen und die umliegenden Teile korrodieren. NICHT überfüllen.

Für die Batterien gilt lediglich eine Garantie von 1 Jahr ab dem Kaufdatum.

Betrieb des Generators

1. Lassen Sie den Motor etwa 10 Minuten lang ohne Last warmlaufen.
2. Unser Generator ist mit einem Warnsystem ausgestattet, das einen niedrigen Ölstand anzeigt. Bei niedrigem Öldruck oder Schmierölmangel wird der Motor automatisch abgeschaltet. Der Motor bleibt sofort stehen, wenn Sie ihn erneut starten, ohne Schmieröl nachzufüllen. Ölstand prüfen und nachfüllen
3. Lösen Sie weder die Schraube zur Begrenzung der Motordrehzahl noch die Schraube zur Begrenzung der Kraftstoffeinspritzung (sie sind werkseitig eingestellt) und stellen Sie sie nicht neu ein, da sonst die Leistung und der Kraftstoffverbrauch beeinträchtigt werden.

Kontrolle während des Betriebs

1. Irgendwelche abnormalen Geräusche oder Vibrationen?
2. Der Motor zündet nicht richtig oder läuft unrund.
3. Wie sieht die Farbe der Abgase aus? (schwarz oder zu weiß?)

Wenn Sie eines der oben genannten Symptome bemerken, stellen Sie den Motor ab und wenden Sie sich an Ihren nächsten Händler oder an den technischen Kundendienst unter service@bpeholdings.co.uk.

Wechselstrombetrieb

1. Starten Sie den Motor und vergewissern Sie sich, dass die GRÜNE Kontrolllampe leuchtet. Ist dies nicht der Fall, könnte der Glühdraht durchgebrannt sein.
2. Die Drehzahl des Generators muss die Nenndrehzahl erreichen (Hebel nach oben).
3. Der Generator kann belastet werden, wenn die Anzeige des Voltmeters auf dem Bedienfeld des Schaltkastens $240 \pm 10\%$ (50Hz) anzeigt.
4. Schließen Sie das Gerät an.

WARNUNG

Starten Sie nicht zwei oder mehr Maschinen gleichzeitig. Starten Sie eine nach der anderen. Verwenden Sie Scheinwerfer nicht zusammen mit anderen Geräten.

5. Stellen Sie sicher, dass alle Geräte in einwandfreiem Zustand sind, bevor Sie sie an den Generator anschließen.

6. Wenn ein Gerät oder eine Anlage abnormal läuft, träge wird oder plötzlich stehen bleibt, schalten Sie den Generator sofort aus. Trennen Sie dann das Gerät vom Stromnetz und untersuchen Sie es auf Anzeichen einer Fehlfunktion.
7. Wenn eine Überlastung des Stromkreises den Wechselstromschutz auslöst, reduzieren Sie die elektrische Belastung des Stromkreises und warten Sie einige Minuten, bevor Sie den Betrieb wieder aufnehmen.
8. Wenn die LCD-Anzeige des Spannungsmessers zu niedrig oder zu hoch ist, halten Sie das Gerät an und versuchen Sie, die Ursache des Fehlers zu finden.

ATS Funktion

Ihr Generator ist möglicherweise mit einer ATS-Eingangsbuchse ausgestattet, die NUR an ein Warrior ATS-Panel (190102000010) angeschlossen werden kann. Versuchen Sie NIEMALS, den Generator an ein anderes System anzuschließen, es wird nicht funktionieren und höchstwahrscheinlich das Gerät beschädigen.

Alle elektrischen Installationen MÜSSEN von einem zugelassenen, qualifizierten Elektriker durchgeführt werden, versuchen Sie niemals, dies selbst zu tun.

Testen mit der ATS-Funktion

1. Drehen Sie den Schlüssel in die Position 'OFF'.
2. Kraftstofffilter manuell entlüften
3. Starten Sie den Generator durch Drehen des Schlüssels in die START-Position (im Uhrzeigersinn) und lassen Sie ihn los, sobald der Motor anspringt. Lassen Sie ihn 5-10 Minuten lang warmlaufen.
4. Schalten Sie den Generator aus, indem Sie den Schlüssel in die Position "OFF" drehen.
5. Kommunikationskabel anschließen (im ATS-Panel mitgeliefert)
6. Schließen Sie den Generator an den Stromausgang an.
7. Hauptstromversorgung der Stadt abschalten
8. Nach ca. 6 Sekunden wird der Generator versuchen, zu starten (3 Versuche).
9. Wenn der Generator beim ersten Versuch nicht anspringt, versucht er es noch 2 Mal und schaltet dann ab.

Stoppen des Generators

1. Schalten Sie den Generator NICHT aus, wenn er unter Last steht. Dies kann den Generator beschädigen.

2. Schalten Sie den Wechselstromschalter aus.
3. Drehen Sie den Zündschlüssel gegen den Uhrzeigersinn in die Position „OFF“.

WARTUNG

Regelmäßige Kontrolle und Wartung sind sehr wichtig, um den Motor in gutem Zustand zu halten. Bitte lesen Sie für jedes Teil die detaillierte Beschreibung der Bedienungsanleitung.

Stellen Sie den Motor ab, bevor Sie eine Wartung durchführen. Wenn der Motor in Betrieb ist, stellen Sie sicher, dass der Bereich gut belüftet ist. Die Abgase enthalten giftiges Kohlenmonoxidgas.

Reinigen Sie den Motor nach der Benutzung sofort mit einem Tuch, um Korrosion zu verhindern und Ablagerungen zu entfernen.

TÄGLICH

- Ölstand prüfen
- Kraftstoff prüfen und auffüllen
- Auf Ölleckagen prüfen
- Batterieflüssigkeit
- Luftreiniger
- Motorteile prüfen und festziehen, wenn sie lose sind

DIE ERSTEN 20 STUNDEN

- Öl wechseln
- Ölfilter reinigen

ALLE 100 STUNDEN ODER ALLE 3 MONATE

- Öl wechseln
- Ölfilter wechseln
- Kraftstofffilter wechseln
- Luftfilter reinigen
- Ventilspiel prüfen/einstellen*

ALLE 2 JAHRE

- Kraftstoffleitung ersetzen*.

*Es sind spezielle Werkzeuge und Kenntnisse erforderlich – versuchen Sie es nicht selbst – wenden Sie sich an den technischen Support unter service@bpeholdings.co.uk.

Wechsel des Motoröls (alle 100 Stunden)

Füllen Sie das empfohlene Öl 10W30 (nicht oder teilsynthetisch) nach.

1. Linke Tür öffnen, mit der Gabel die Ablassschraube lösen (Schraube nicht herausdrehen), die Ölführungsrille unter die Ablassschraube schieben,

den Auslass mit dem Ölbehälter verbinden und dann die Ölablassschraube vollständig entfernen.

2. Beginnen Sie damit, das Öl abzulassen, und wenn die Ölwanne leer ist, verwenden Sie gegebenenfalls den Diesel, um die Innenseite des Zylinderblocks zu reinigen.
3. Die Ablassschraube wieder einsetzen.



4. Den runden Kunststoffdeckel auf der Oberseite der Lichtmaschine verschieben, den Öldeckel des Zylinderkopfs abschrauben, das Öl einfüllen, bis die Ölanzeige den Maximalwert erreicht hat, und dann den Zylinderkopfbolzen wieder festschrauben.



Reinigung des Luftfilters (alle 100 Stunden)

Wenn Sie die obere Platte und die hintere Abdeckung des Generators verschieben, sehen Sie den Luftfilter. Die Klammer lösen, die untere Hälfte des Luftfilters herausnehmen und das Filterelement in der Mitte entnehmen; das Filterelement mit Dieseldieselkraftstoff waschen und wieder in den Luftfilter einsetzen, nachdem es getrocknet ist.



Prüfen und Auffüllen der Batterieflüssigkeit und Laden der Batterie (monatlich)

Dieser Dieselmotor verwendet eine 12-V-Batterie. Die Batterieflüssigkeit geht durch ständiges Laden und Entladen verloren.

Die Batterie vor dem Start auf physische Schäden und ebenfalls den Elektrolytstand prüfen und gegebenenfalls destilliertes Wasser bis zur oberen Markierung nachfüllen. Ersetzen Sie die Batterie sofort, wenn Sie

einen Schaden feststellen. Für die Batterien gilt eine Garantie von 12 Monaten ab dem Kaufdatum.

LAGERUNG

Wenn Sie Ihren Generator für längere Zeit einlagern möchten, sollten Sie folgende Vorbereitungen treffen.

1. Lassen Sie den Dieselmotor etwa 10 Minuten ohne Last laufen und schalten Sie ihn dann ab.
2. Warten Sie ca. 10 Minuten und, wenn der Motor noch warm ist, lassen Sie das Motoröl ab und füllen Sie neues 10W30 Motoröl nach.

FEHLERSUCHE

Problem	Ursache	Lösung
Motor startet nicht	Kein Kraftstoff	Kraftstoff auffüllen.
	Die Batterie ist leer	Aufladen oder ersetzen
	Ölstand prüfen	Bei Bedarf Öl hinzufügen
	Das Ventilspiel ist nicht korrekt	Stellen Sie das Spiel wie im Betriebshandbuch beschrieben ein
	Kolbenring abgenutzt oder Ringe an falscher Stelle	Kolbenring wechseln und einstellen
	Die Schrauben des Zylinderkopfes sind nicht fest genug angezogen	Die Bolzen anziehen
Der Motor läuft, aber keine Leistung	Der Wechselstromschalter ist ausgeschaltet	Stellen Sie den Wechselstromhauptschalter auf die Position „ON“
	Der Kontakt der Steckdose ist mangelhaft	Die Füße der Steckdose anpassen
	AVR ist defekt	AVR ersetzen
	Sonstiges	Technischer Support kontaktieren service@bpeholdings.co.uk.

TECHNISCHE DATEN

MODELL:	LDG12S	LDG15S	LDG12S3	LDG15S3
Typ	Einphasiger Wechselstrom		3 Phasen	
Frequenz (Hz)	50			
Nennleistung (kW)	10	12	10	12
Max. Leistung (kW)	11	13	11	13
Spannung (Wechselstrom)	110,115,120, 220,230,240,120/240		220/380,240/415	
Leistungsfaktor	0.8	1.0	0.8	1.0
Motor	LA290F	LA292FA-C	LA290F	LA292FA-C
Motortyp	4-Takt, Zweizylinder, luftgekühlt			
Motor CC	954	1064	954	1064
Motorbohrung	90	92	90	92
Motorhub	75	80	75	80
Drehzahl (U/min)	3000			
Startsystem	Elektrischer Start			
Geräuschpegel dBA	<96	<85	<96	<85
Geräuschpegel dBA@ 7m	<69	<75	<69	<75
Öl Kapazität (L)	3			
Kraftstoff	Diesel			
Tankvolumen (L)	50	35	50	35
Kraftstoffverbrauch g/kWh	<350	<310	<350	<310
Betriebskapazität (Std.)	<12			
Nettogewicht (kg)	295	260	295	260
Abmessungen (L x B x H) mm	1175 x 695 x 1025	1120 x 725 x 960	1175 x 695 x 1025	1120 x 725 x 960

GARANTIE

Wir von Warrior wissen, wie wichtig die Garantie bei Service und Reparatur ist. Deshalb bieten wir Ihnen jetzt standardmäßig eine 2-Jahres-Garantie (Warrior Dieselgeneratoren) an, ohne dass Sie Ihren Kauf registrieren müssen. Wir bieten weiterhin die Möglichkeit der Produktregistrierung für Kunden, welche die Website nutzen und mit uns in Kontakt bleiben möchten.

Beachten Sie bitte die unten stehenden Einschränkungen und lesen Sie die vollständigen AGBs über die für ein bestimmtes Produkt angebotene Garantie.

Alles, was Sie benötigen, ist entweder eine Kopie des Original-Kaufbelegs oder eine Rechnung des Händlers, die zum Zeitpunkt des Kaufs ausgestellt wurde, um den Anspruch geltend machen zu können. Bewahren Sie bitte Ihren Kaufbeleg für die gesamte Vertragsdauer auf. Sollten Sie unseren technischen Support benötigen, werden wir diesen bei jeder Beanstandung verlangen. Ohne Kaufbeleg wird jeder Garantieanspruch verzögert oder abgelehnt.

Reparatur-/Ersatzgarantie

Dieselgeneratoren von Warrior garantieren dem ursprünglichen Käufer für einen Zeitraum von bis zu 2 Jahren bei privater Nutzung, dass die mechanischen und elektrischen Komponenten für einen Zeitraum von einem Jahr (1) [Teile und Arbeit] zwei Jahren (2) [nur Teile] ab dem Kaufdatum oder 1000 Stunden, je nachdem, was zuerst eintritt, frei von Material- und Verarbeitungsfehlern sind.

Industrielle und kommerzielle Nutzung Ein Jahr (1) [Teile und Arbeit] oder 500 Stunden, je nachdem, was zuerst eintritt.

Die Transportkosten für ein Produkt, das im Rahmen dieser Garantie zur Reparatur oder zum Austausch eingereicht wird, gehen vollständig zu Lasten des Käufers. Diese Garantie gilt nur für den ursprünglichen Käufer und ist nicht übertragbar.

Bringen Sie das Gerät nicht an die Verkaufsstelle zurück

Wenden Sie sich an den technischen Kundendienst von Warrior und wir kümmern uns telefonisch oder per E-Mail um alle Probleme. Wenn das Problem auf diese Weise nicht behoben werden kann, wird Warrior nach eigenem Ermessen die Bewertung, die Reparatur oder den Austausch des defekten Teils oder der Komponente in unserem eigenen Servicecenter veranlassen. Wenn ein Produkt ersetzt werden muss, wird es auf einer gleichwertigen Basis ersetzt und nicht gemäß der Alt-für-neu-Regelung. Warrior teilt Ihnen eine Fallnummer für den Garantieservice mit, die Sie über Ihr Login-Konto überwachen können. Bitte bewahren Sie sie als Referenz für später auf. Reparaturen oder Ersatz ohne vorherige Genehmigung oder in einer nicht autorisierten Reparaturwerkstatt werden von dieser Garantie nicht abgedeckt. Für Kunden außerhalb Großbritanniens schließen wir die Garantie aus. Bitte lesen Sie unsere vollständigen AGBs.

Garantieausschlüsse

Diese Garantie deckt Folgendes NICHT ab:

Normale Abnutzung

Damit Ihr Produkt einwandfrei funktioniert, sind regelmäßig Ersatzteile und Wartung erforderlich. Diese Garantie deckt keine Reparaturen ab, wenn die Lebensdauer eines Teils oder des gesamten Geräts durch normalen Gebrauch abgelaufen ist.

Installation, Verwendung und Wartung

Diese Garantie gilt nicht für Teile oder Arbeitsleistungen, wenn Ihr Produkt falsch verwendet, nicht fachgerecht behandelt, in einen Unfall verwickelt, missbräuchlich verwendet, über die Belastungsgrenzen des Generators hinaus überlastet, modifiziert, unsachgemäß installiert oder falsch an eine elektrische Komponente oder ein System angeschlossen wurde. Normale Wartungsarbeiten sind nicht durch diese Garantie abgedeckt.

Weitere Ausschlüsse

Diese Garantie schließt Folgendes aus:

- kosmetische Mängel wie Farbe, Aufkleber usw.
- verschlissene Teile wie Kolben und Ringe, Zündkerzen, Filter
- Zubehörteile, einschließlich Räder und Antriebsbeinheiten
- Ausfälle aufgrund höherer Gewalt und anderer Ereignisse, die außerhalb der Kontrolle des Herstellers liegen
- Probleme, die durch Teile verursacht werden, die keine Originalteile von Warrior Power Equipment sind
- Änderungen oder Modifikationen, die von einer anderen Partei als dem Hersteller vorgenommen wurden, einschließlich Abgasverlängerung und Filtersysteme
- alle Schläuche aus Kunststoff oder Gummi, Reduzierventile und Druckregler
- elektrische Geräte von Dritten

12-V-Batterie

- Alle gelieferten Batterien, die über 1 Jahr alt sind

Geeigneter Transferschalter

Alle MTS-Systeme (Manual Transfer) und ATS-Systeme (Automatic Transfer), die nicht von uns unter WARRIOR oder Warrior angeboten werden, werden nicht als geeignet angesehen und haben zur Folge, dass alle Garantien erlöschen. Bitte kontaktieren Sie uns direkt, bevor Sie ein Transfersystem installieren.

Grenzen der impliziten Garantie und Folgeschäden

Winch Solutions Ltd (CG) lehnt jegliche Verpflichtung zur Deckung von Zeitverlusten, der Nutzung dieses Produkts, von Frachtkosten oder von Kosten für Neben- oder Folgeschäden ab, die durch die Verwendung dieses Produkts entstehen.

DIESE GARANTIE ERSETZT ALLE ANDEREN AUSDRÜCKLICHEN ODER IMPLIZITEN GARANTIEEN, EINSCHLIESSLICH DER GARANTIE DER MARKTGÄNGIGKEIT ODER DER EIGNUNG FÜR EINEN BESTIMMTEN ZWECK.

Für ein Gerät, das im Rahmen eines Austauschs geliefert wird, gilt die Garantie des Originalgeräts. Die Dauer der Garantie für das ausgetauschte Gerät wird weiterhin unter Bezugnahme auf das Kaufdatum des Originalgeräts berechnet. Im Rahmen dieser Garantie besitzen Sie bestimmte gesetzliche Rechte, die sich von Land zu Land unterscheiden können. In Ihrem Land gelten möglicherweise auch andere Rechte, die in dieser Garantie nicht aufgeführt sind.

INTRODUCTION

Nous vous remercions d'avoir acheté notre produit.

Ce produit est garanti contre les défauts de fabrication pour une période de 24 mois à compter de la date d'achat. Merci de conserver votre reçu comme preuve d'achat.

La présente garantie sera invalide s'il est constaté que le produit a été utilisé d'une mauvaise manière ou altéré de quelque façon que ce soit, ou s'il n'a pas été utilisé dans le but prévu. **Les biens défectueux ne doivent pas être retournés au lieu d'achat**, le générateur doit être retourné au fournisseur du produit. Aucun produit ne peut être retourné sans autorisation préalable. La présente garantie n'affecte pas vos droits statutaires.

Si vous contactez WPE concernant des pièces de rechange et/ou un entretien, vous devrez fournir les numéros de modèle et de série complets de votre produit. Retranscrivez les informations indiquées sur l'étiquette signalétique de votre produit dans le tableau ci-dessous.

ÉQUIPE D'ASSISTANCE TECHNIQUE WPE
service@bpeholdings.co.uk
NUMÉRO DU MODÈLE
NUMÉRO DE SÉRIE
DATE D'ACHAT
LIEU D'ACHAT

IMPORTANT

1. Les enfants doivent être tenus à une distance sécurisée du générateur et ne JAMAIS être autorisés à le faire fonctionner.
2. Votre nouveau générateur a besoin d'une période de rodage d'environ 10 heures avec PAS PLUS DE 75 % de la charge maximum appliquée. Après les 10 premières heures, l'huile DOIT être changée. L'huile recommandée est de la 10W30 faiblement ou non synthétique.
3. Ne touchez pas le moteur ni le silencieux lors le générateur fonctionne. Faites attention aux autocollants d'avertissement et de précaution sur le générateur.
4. L'équipement électrique (y compris le câble et le composant de connexion de la fiche) doit être en bon état avant de démarrer et inspecté avant l'utilisation.
5. En cas de remplacement du disjoncteur, celui-ci doit être d'une spécification équivalente ou supérieure à celui retiré.
6. En raison du stress mécanique élevé, il est recommandé de n'utiliser que des câbles à gaine en caoutchouc.
7. Lors de l'utilisation de rallonges ou d'une armoire de distribution mobile, le fil de section de 1,5 mm² ne doit pas dépasser 50 m de long. En ce qui concerne le fil de section de 2,5 mm², celui-ci ne doit pas dépasser 100 m de long.
8. En cas de démarrage manuel, utilisez toujours le levier de décompression. (UNIQUEMENT sur le type à cadre ouvert)
9. Dans des conditions ambiantes de fonctionnement standard (-5 à 40 degrés centigrades), le générateur peut être utilisé à des charges de fonctionnement normales. Si les conditions de fonctionnement ne sont pas normales, qu'elles soient trop élevées ou trop faibles, le générateur doit fonctionner à une puissance inférieure, ne dépassant pas 75 % de la charge maximale. Lorsque la température, l'altitude et l'humidité sont supérieures aux conditions de fonctionnement standard, le générateur DOIT réduire la charge de sortie à un maximum de 75 % de la charge maximale.
10. Avant toute inspection ou entretien du générateur, le moteur doit être arrêté. Laissez-le refroidir pendant au moins 30 minutes. Vérifiez et entretenez le générateur conformément au tableau des périodes et à la fiche de calendrier du manuel.
11. À l'exception de l'entretien ou du nettoyage quotidien, toute inspection ou tout réajustement doit être effectué par une personne professionnelle autorisée et se procurer les composants d'origine requis auprès du fournisseur. (Contactez vos revendeurs locaux).
12. Votre machine nouvellement révisée doit subir une période de rodage d'au moins 10 heures, le rendement ne devant pas dépasser 75 % de la charge maximale.

CARACTÉRISTIQUES

Le générateur Diesel WPE possède les caractéristiques suivantes :

Cette série de générateurs diesel possède un moteur diesel à injection directe à 4 rayons, refroidi par air, de type super léger, et dispose de deux options de démarrage :

1. Démarrage par cordon de recul
2. Démarrage électrique

Ce produit est équipé d'un réservoir de carburant de grande capacité, d'un protecteur de circuit, de sorties en courant alternatif et parfois en courant continu, d'une alarme de basse pression d'huile et d'un dispositif d'arrêt automatique.

Le générateur diesel sert d'alimentation de secours dans de nombreuses applications différentes, notamment sur les chantiers ouverts, dans la construction et pour l'armée de terrain. Alimentation de secours pour les fermes avicoles, les pêcheries, les forêts, les jardins, les hôtels, les magasins et les bureaux.

Ce manuel d'utilisation vous explique comment utiliser et entretenir votre nouveau générateur diesel. Veuillez le lire avant d'utiliser le générateur diesel afin de garantir une manipulation et un fonctionnement corrects. Le respect de ces instructions vous permettra de maintenir votre générateur diesel dans les meilleures conditions de fonctionnement et de prolonger sa durée de vie.

En cas de questions concernant votre nouveau produit ou l'une des informations données dans ce manuel, veuillez contacter service@bpeholdings.co.uk.

PARAMÈTRES

Les générateurs peuvent générer la puissance spécifiée lorsqu'ils sont utilisés dans les conditions suivantes :

Altitude : < 1 000 m
Température ambiante : 5 à 40°C
Humidité relative : <90 %

AVERTISSEMENT

Les échappements/silencieux et les gaz sont très chauds au toucher. N'ajoutez PAS ou n'installez PAS d'extensions d'échappement/de silencieux, vous annulez ainsi toute garantie offerte.

Éviter les brûlures

Ne touchez ou ne manipulez JAMAIS l'échappement/le silencieux et le moteur lorsque le générateur est en marche ou chaud. Laissez toujours environ 30 minutes pour que l'échappement/le silencieux et le moteur refroidissent avant de les manipuler.

AVERTISSEMENT

Si votre groupe électrogène doit être utilisé avec un panneau ATS, il devra être amorcé ou démarré une fois par mois. Sinon, une fuite de carburant et/ou une détérioration du carburant surviendra, entraînant l'impossibilité de démarrer le groupe électrogène et des erreurs dans le panneau ATS.

N'essayez JAMAIS d'installer ce groupe électrogène sur un autre système ATS : il ne fonctionnera pas et endommagera très certainement l'unité.

Toutes les installations électriques DOIVENT être réalisées par un électricien habilité et qualifié. N'essayez jamais de le faire vous-même.

IMPORTANT

Veuillez lire et comprendre ce manuel d'utilisation afin d'assurer une utilisation en toute sécurité. Accordez une grande attention aux principaux points d'utilisation suivants, faute de quoi vous risqueriez de vous blesser et d'endommager l'équipement.

Éviter les incendies

Le carburant de ce moteur diesel est du diesel léger. Il ne faut donc JAMAIS utiliser d'essence, de kérosène, etc.

Essuyez tous les déversements de carburant avec un chiffon propre. Gardez l'essence, le kérosène, les allumettes et autres explosifs et substances inflammables à l'écart du générateur, car la température autour du silencieux d'échappement est très élevée pendant le fonctionnement. Pour éviter les risques d'incendie et assurer une ventilation adéquate, maintenez le générateur à une distance d'au moins 1,5 m des bâtiments, structures et autres équipements pendant son fonctionnement.

Faites fonctionner le générateur sur une surface plane et horizontale. Il est possible qu'il y ait des fuites de carburant ou un mauvais fonctionnement si le générateur est incliné.

Éviter l'inhalation des gaz d'échappement

Les gaz d'échappement contiennent du monoxyde de carbone toxique. Utilisez toujours le générateur en extérieur, à une distance minimale de 1,5 m de toute fenêtre, porte ou ouverture.

Les générateurs ne DOIVENT jamais être utilisés en intérieur, dans les garages, les cabines, les bâtiments extérieurs, les hangars ou tout autre espace confiné, y compris les véhicules et les compartiments de véhicules.

Chocs électriques, courts-circuits

Afin d'éviter les chocs électriques ou les courts-circuits, ne touchez pas le générateur lorsque celui-ci est mouillé ou que vos mains sont mouillées.

Ce générateur n'est pas étanche, il ne doit donc JAMAIS être utilisé dans un endroit exposé à la pluie, à la neige ou aux projections d'eau. Le générateur doit être mis à la terre pour éviter les chocs électriques. Veuillez connecter une longueur de fil lourd entre la borne de terre du générateur et un dispositif de mise à la terre externe, une tige de terre ou un piquet, d'une profondeur minimale de 200 mm.

Ne connectez aucun équipement au générateur avant de le démarrer.

⚠ AVERTISSEMENT

La plupart des moteurs d'appareils ménagers ont besoin d'une puissance supérieure à leur puissance nominale pour démarrer. Ne dépassez pas la limite de courant spécifiée pour une seule prise.

Charger la batterie

L'électrolyte de la batterie contient de l'acide sulfurique. Protégez vos yeux, votre peau et vos vêtements. En cas de contact, rincez abondamment à l'eau et consultez rapidement un médecin, surtout si vos yeux sont touchés.

Les batteries génèrent de l'hydrogène gazeux, qui peut provoquer des flammes ou des étincelles à proximité d'une batterie, notamment pendant la charge.

Chargez la batterie dans un endroit bien ventilé.

⚠ AVERTISSEMENT

Vous devez savoir comment arrêter rapidement le générateur et comprendre comment utiliser toutes les commandes. Ne laissez jamais quiconque faire fonctionner le générateur sans instruction appropriée.

Portez toujours un casque, des chaussures de sécurité et des vêtements appropriés. Gardez les animaux domestiques et les enfants à l'écart du générateur lorsqu'il fonctionne.

PRÉPARATION AVANT LE DÉMARRAGE

Sélection et manipulation du carburant

- Seul du carburant diesel léger peut être utilisé.
- Le carburant doit être filtré.
- Le carburant doit être exempt d'eau ou de poussière car ceux-ci peuvent contaminer le système d'injection de carburant.
- Ne remplissez pas le réservoir au-delà du bouchon rouge situé à l'intérieur du filtre du réservoir de

carburant. Utilisez la jauge de carburant située sur le dessus du réservoir.

- Ne fumez pas et ne laissez pas d'étincelles dans la zone où le moteur est ravitaillé en carburant ou où le carburant est stocké.
- Ne renversez pas de carburant lorsque vous faites le plein, assurez-vous que le bouchon du filtre est bien fermé.

Sélection et manipulation de l'huile

- Vérifiez le niveau d'huile avant chaque fonctionnement.
- Placez le générateur sur une surface de niveau.
- Ouvrez la trappe pour trouver la jauge d'huile.
- Pour vérifier le niveau d'huile, il suffit de plonger la jauge dans le carter. Ne vissez pas la jauge lors du contrôle.



REMARQUE

Rien n'affecte plus les performances et la durabilité du générateur que l'huile que vous utilisez. Si vous utilisez une huile de qualité médiocre ou si l'huile de votre moteur n'est pas changée régulièrement, le risque de grippage du piston, de collage des segments et d'usure accélérée de la chemise de cylindre, des roulements et des autres composants mobiles augmente considérablement.

- Veillez à vérifier le niveau d'huile et à remplir d'huile jusqu'au niveau spécifié avant de démarrer le générateur, même s'il est équipé d'un système d'avertissement de basse pression d'huile.
- Si votre générateur ne démarre pas à la 5e tentative ou s'il démarre et s'éteint, votre niveau d'huile est trop bas et doit être complété.

REMARQUE

L'huile doit être changée après les 20 premières heures (ou 1 mois) d'utilisation, puis tous les 3 mois ou 100 heures d'utilisation.

Veillez à vidanger l'huile lorsque le moteur est tiède mais pas chaud. Il est difficile de vidanger complètement l'huile après le refroidissement.

AVERTISSEMENT

N'ajoutez JAMAIS d'huile ou n'essayez pas de changer l'huile dans le générateur pendant que le moteur tourne.

Vérifier le filtre à air

- Desserrez l'écrou à ailettes, retirez le couvercle du filtre à air et retirez l'élément. Ne lavez pas l'élément du filtre à air avec du détergent. Utilisez de l'eau ou de l'essence (vous DEVEZ impérativement les laisser sécher avant de procéder au remplacement).
- L'élément du filtre à air doit être remplacé lorsque le rendement du moteur diminue ou que la couleur des gaz d'échappement est anormale.
- Ne faites jamais fonctionner le générateur sans l'élément du filtre à air. Cela peut provoquer une usure rapide du moteur.
- Remettez en place le couvercle du filtre à air et serrez l'écrou à ailettes.

Veiller à une absence de charge sur le générateur

- Coupez le disjoncteur principal et toute autre charge.
- Assurez-vous de couper le disjoncteur principal avant de démarrer le générateur. Si l'interrupteur n'est pas sur la position « Éteint », l'application soudaine de la charge peut être très dangereuse, lorsque le moteur diesel est démarré.
- Le générateur doit être mis à la terre pour éviter les chocs électriques. (Recommandé).

Manipulation d'un générateur à double tension

- Fonctionnement du commutateur : Le disjoncteur CA du panneau de commande doit être réglé sur la position « Éteint » avant de faire fonctionner la machine. Après avoir démarré le générateur, laissez la vitesse atteindre le régime nominal, puis mettez le disjoncteur CA en position « Allumé », afin que

les prises de courant puissent être utilisées pour l'équipement d'exploitation.

- N'essayez JAMAIS de passer d'une tension à l'autre lorsque le disjoncteur CA est sur Allumé et que l'équipement est branché.
- Placez le disjoncteur principal CA sur la position « Éteint » lorsque vous utilisez l'alimentation 12 V CC.

Vérifier la présence d'une poche d'air**AVERTISSEMENT**

Le CARBURANT et l'HUILE du moteur sont vidés en usine avant le transport. Les générateurs sont à sec pour le stockage.

- Vérifiez la présence d'une poche d'air dans la canalisation de carburant et déterminez si de l'air est mélangé dans la canalisation. Si c'est le cas, évacuez l'air de la canalisation avant de faire le plein et de démarrer le moteur diesel.
- Le filtre à carburant doit être rempli à 75 % au minimum. Si ce n'est pas le cas, de l'air peut être présent dans le système.
- La méthode de démontage consiste à desserrer l'écrou du presse-étoupe de 17 mm entre la pompe d'injection et la conduite en laiton haute pression, à mettre le levier de marche en position « Fonctionnement » et à faire tourner le moteur jusqu'à ce que le carburant commence à sortir.
- Remplacez et resserrez le presse-étoupe de 17 mm. Répétez le processus si le moteur ne démarre toujours pas.

FONCTIONNEMENT**Fonction de préchauffage**

Ce générateur est équipé d'une fonction de bouton de préchauffage pour les températures froides inférieures à 0 °C, cette fonction est conçue pour réchauffer le moteur et l'huile en premier en utilisant l'alimentation 12 V DC fournie par la batterie avant que le moteur ne soit lancé.

Si la température extérieure est inférieure à 0°C, il est recommandé d'utiliser d'abord le bouton de fonction de préchauffage avant de démarrer le moteur.

1. Tournez la clé de contact sur la position "ON"
2. Appuyez sur le bouton de préchauffage et maintenez-le enfoncé pendant au moins 5 secondes jusqu'à ce que le voyant d'éclairage rouge fixe apparaisse

3. Relâchez le bouton et démarrez le générateur normalement à l'aide de la clé ou de la télécommande (modèles à télécommande sans fil uniquement)

Si le générateur ne démarre pas, répétez les étapes 1 à 3 au maximum 3 fois seulement, si le générateur ne démarre pas après 3 tentatives, contactez votre agent de service local.

Système d'avertissement de faible niveau d'huile

- Le dispositif permet d'arrêter automatiquement le moteur lorsque la pression d'huile tombe en dessous du niveau réglementaire. Il empêche le moteur de gripper lorsque l'huile moteur est basse ou que la pression du moteur diminue.
- La température de l'huile augmente fortement si le moteur est utilisé avec une quantité insuffisante d'huile moteur. D'autre part, un excès d'huile est dangereux. L'huile peut brûler et provoquer une augmentation soudaine et excessive du régime du moteur. Avant d'utiliser la machine, veillez à contrôler chaque jour l'huile et à la remplir jusqu'au niveau spécifié si nécessaire.

Voyant d'avertissement de bas niveau d'huile

Votre génératrice est équipée d'un voyant d'avertissement de bas niveau d'huile.

Si le voyant s'allume en «rouge continu», votre générateur nécessite l'ajout immédiat d'huile.

1. Arrêtez immédiatement l'application, coupez le moteur et laissez refroidir pendant environ 10 à 15 minutes.
2. Retirez la jauge de niveau d'huile et nettoyez-la.
3. Ajoutez de l'huile à l'aide d'un entonnoir à huile (non fourni) et vérifiez à l'aide de la jauge de niveau d'huile (en règle générale, l'huile est pleine lorsqu'elle est visuellement visible sur les filetages médian/supérieur de l'orifice). Si vous utilisez la jauge d'huile, ne JAMAIS visser la jauge de niveau d'huile pour prendre une lecture, reposez-vous simplement contre le haut du port et regardez la lecture.
4. Revisser la jauge de niveau d'huile
5. Faites tourner le moteur pendant 10 minutes sans aucune charge en permettant à l'huile de circuler complètement.
6. Vérifiez à nouveau le niveau d'huile

Le non-ajout de la capacité d'huile recommandée peut entraîner une usure accrue du moteur et (ou) des dommages au moteur.

Ouvrir la porte et le couvercle de l'armoire

Ouvrez la porte de l'armoire, relevez-la et vérifiez-la quotidiennement.

7. Tournez la poignée dans le sens inverse des aiguilles d'une montre pour ouvrir la porte de l'armoire.
8. Tournez la poignée dans le sens des aiguilles d'une montre pour verrouiller la porte de l'armoire.

Opération de rodage

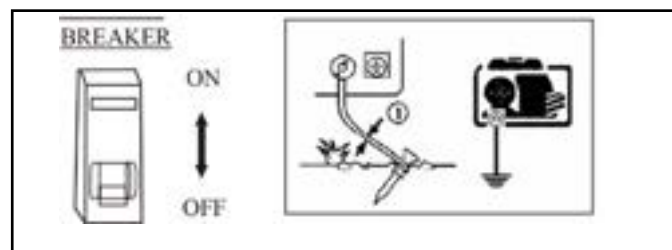
Tant que votre générateur est encore neuf, l'application de charges lourdes peut réduire la durée de vie du moteur. Suivez les procédures de rodage pendant les 20 premières heures.

1. Évitez d'appliquer une charge lourde pendant la période de rodage.
2. Changez régulièrement l'huile moteur. Changez l'huile moteur toutes les 20 heures ou un mois après la première utilisation, et tous les 3 mois ou 100 heures par la suite.

Démarrage du générateur

Démarrage électrique

1. Mettez l'interrupteur du disjoncteur CA sur la position « Éteint » Assurez-vous que le générateur est mis à la terre (une tige de terre de 200 mm est recommandée).



2. Tournez la clé de contact sur la position « Allumé » (pendant 8 secondes au maximum).
3. Relâchez la clé dès que le moteur démarre et laissez la clé revenir automatiquement à la position initiale.

⚠ AVERTISSEMENT

Si le démarreur du moteur ne démarre pas, attendez au moins 30 secondes avant d'essayer de démarrer à nouveau.

⚠ AVERTISSEMENT

Veillez noter : Si le démarreur du moteur tourne trop longtemps, la batterie se décharge.

Batterie

Vérifiez le niveau de liquide de la batterie une fois par mois. Lorsque le niveau descend sous le repère inférieur, remplissez d'eau distillée jusqu'au repère supérieur.

Si le liquide de la batterie est faible, il est possible que le moteur ne démarre pas parce qu'une quantité insuffisante d'électricité atteint le démarreur. Maintenez toujours le niveau de liquide entre le niveau supérieur et le niveau inférieur.

Si une trop grande quantité de liquide de batterie est versée, le liquide peut se répandre et corroder les pièces environnantes. NE remplissez PAS de manière excessive.

Les batteries ne sont couvertes que par une garantie de 1 an à compter de la date d'achat initiale.

Fonctionnement du générateur

1. Faites chauffer le moteur sans charge pendant environ 10 minutes.
2. Notre générateur est équipé d'un système d'avertissement de faible niveau d'huile. Le moteur s'arrête automatiquement en cas de faible pression d'huile faible ou de manque d'huile de lubrification. Le moteur s'arrêtera immédiatement s'il est redémarré sans un remplissage d'huile de lubrification. Vérifiez le niveau d'huile et remplissez
3. Ne desserrez pas ou ne réajustez pas le boulon de limitation du régime moteur ou le boulon de limitation de l'injection de carburant (ils ont été réglés en usine). Les performances et l'économie du carburant en seront sinon affectées.

Vérification pendant le fonctionnement

1. Vous entendez un son ou une vibration anormale ?
2. Le moteur a des ratés ou fonctionne mal.
3. De quelle couleur sont les gaz d'échappement ? (Sont-ils noirs ou trop blancs ?)

Si vous constatez l'un des phénomènes ci-dessus, arrêtez le moteur et consultez votre revendeur le plus proche ou contactez l'assistance technique au service@bpeholdings.co.uk.

Fonctionnement CA

1. Démarrez le moteur et veillez à ce que le témoin « Vert » s'allume. Si ce n'est pas le cas, le filament a peut-être brûlé.
2. La vitesse du générateur doit atteindre la vitesse nominale (levier en haut).
3. Le générateur peut être chargé lorsque l'indicateur du voltmètre affiche 240 ± 10 % (50 Hz) sur le panneau de la boîte de contrôle.

4. Branchez l'appareil.

AVERTISSEMENT

Ne démarrez pas deux machines ou plus simultanément. Démarrez-les une par une. N'utilisez pas les projecteurs avec d'autres machines.

5. Assurez-vous que toutes les pièces d'équipement sont en bon état de fonctionnement avant de les connecter au générateur.
6. Si un appareil ou une pièce d'équipement commence à fonctionner anormalement, devient lent(e) ou s'arrête soudainement, éteignez immédiatement le générateur. Débranchez alors l'appareil et examinez-le pour détecter tout signe de dysfonctionnement.
7. Si la surcharge du circuit déclenche le protecteur de circuit CA, réduisez la charge électrique sur le circuit. Attendez quelques minutes avant de reprendre le fonctionnement.
8. Si le voltmètre affiché à l'écran LCD est trop faible ou trop élevé, arrêtez la machine et examinez-la pour trouver la cause du défaut.

Fonction ATS

Votre groupe électrogène pourrait être équipé d'une prise d'entrée ATS, pouvant UNIQUEMENT être connecté à un panneau ATS Warrior (190102000010). N'essayez JAMAIS de l'installer sur un autre système : cela ne fonctionnera pas et endommagera très certainement l'unité.

Toutes les installations électriques DOIVENT être réalisées par un électricien habilité et qualifié. N'essayez jamais de le faire vous-même.

Tester en utilisant la fonction ATS.

1. Placez la clé en position 'ARRÊT'
2. Amorcez manuellement le filtre à carburant
3. Démarrez le groupe électrogène en tournant la clé en position 'DÉMARRAGE' (dans le sens des aiguilles d'une montre) puis relâchez lorsque le moteur démarre, puis laissez-le chauffer pendant 5 à 10 minutes.
4. Arrêtez le groupe électrogène en tournant la clé en position 'ARRÊT'
5. Connectez le câble de communication (fourni dans le panneau ATS)
6. Connectez à la puissance sortante du groupe électrogène
7. Arrêtez l'électricité de ville principale

8. Après 6 secondes environ, le groupe électrogène essaiera de redémarrer (3 tentatives)
9. AU cas où le groupe électrogène ne redémarre pas lors de la première tentative, il réessaiera deux fois de plus, puis passera en mode échec.

Arrêt du générateur

1. N'arrêtez PAS le générateur lorsqu'il est sous charge. Cela endommagera le générateur.
2. Coupez le disjoncteur CA.
3. Tournez la clé de contact dans le sens inverse des aiguilles d'une montre sur la position « Éteint ».

ENTRETIEN

Il est très important de procéder à un contrôle et à un entretien périodiques pour maintenir le moteur en bon état. Veuillez lire la description détaillée de chaque pièce dans le manuel d'utilisation.

Arrêtez le moteur avant d'effectuer tout entretien. Si le moteur doit tourner, assurez-vous que la zone soit bien ventilée. Les gaz d'échappement contiennent du gaz de monoxyde de carbone toxique.

Après l'utilisation du moteur, nettoyez-le immédiatement avec un chiffon pour éviter la corrosion et éliminer les sédiments.

QUOTIDIENNEMENT

- ☐ Vérifiez le niveau d'huile
- ☐ Vérifiez et faites le plein de carburant
- ☐ Vérifiez s'il existe une fuite d'huile
- ☐ Liquide de la batterie
- ☐ Filtre à air
- ☐ Vérifiez et serrez les pièces du moteur si elles sont desserrées

LES 20 PREMIÈRES HEURES

- ☐ Changez l'huile
- ☐ Nettoyez le filtre à huile

CHAQUE 100 HEURES OU 3 MOIS

- ☐ Changez l'huile
- ☐ Changez le filtre à huile
- ☐ Changez le filtre de carburant
- ☐ Nettoyez le filtre à air
- ☐ Vérifiez/ajustez le jeu de soupape*

CHAQUE 2 ANS

- ☐ Remplacez la conduite de carburant*

* Des outils ou des compétences spécifiques sont nécessaires. N'essayez pas de le faire vous-même. Consultez l'assistance technique au service@bpeholdings.co.uk.

Changer l'huile moteur (chaque 100 heures)

Remplissez avec l'huile recommandée 10W30 non ou partiellement synthétique.

1. Ouvrez la porte de gauche. Utilisez le levier pour desserrer le bouchon de vidange (ne retirez pas la vis). Placez la rainure de guidage de l'huile sous le bouchon de vidange. Laissez sa sortie se connecter au réservoir d'huile, puis retirez complètement le bouchon de vidange d'huile.
2. Commencez à vidanger l'huile. Lorsque le carter d'huile est vide, si nécessaire, utilisez le diesel pour nettoyer l'intérieur du bloc-cylindres.
3. Remettez le bouchon de vidange.



4. Déplacez le couvercle arrondi en plastique sur le dessus du générateur. Dévissez le bouchon d'huile de la culasse, remplissez d'huile jusqu'à atteindre la jauge d'huile maximale limitée. Revissez le goujon de la culasse.



Nettoyer le filtre à air (chaque 100 heures)

Déplacez la plaque supérieure et le couvercle arrière du générateur. Vous verrez le filtre à air. Relâchez le clip, déchargez la moitié inférieure du filtre à air. Sortez l'élément filtrant au milieu. Lavez l'élément filtrant avec du carburant diesel et remettez-le dans le filtre à air une fois celui-ci sec.



Vérification et remplissage du liquide de batterie et charge de la batterie (mensuel)

Ce moteur diesel utilise une batterie de 12 V. Le liquide de la batterie se vide au fil des charges et des décharges.

Avant de démarrer, vérifiez que la batterie n'a pas subi de dommages physiques et que le niveau d'électrolyte n'est pas trop élevé. Si nécessaire, remplissez d'eau distillée jusqu'au repère supérieur. Si vous constatez un dommage, remplacez immédiatement la batterie. Les batteries sont couvertes par une garantie de 12 mois à compter de la date d'achat initiale.

STOCKAGE

Si votre générateur doit être stocké pendant une longue période, les dispositions suivantes doivent être prises.

1. Faites fonctionner le moteur diesel pendant environ 10 minutes SANS charge et arrêtez-le.
2. Attendez environ 10 minutes lorsque le moteur est encore chaud, vidangez l'huile moteur, puis remplissez avec une nouvelle huile moteur 10W30.

DÉPANNAGE

Problème	Cause	Solution
Le moteur ne démarre pas.	Pas de carburant.	Ajoutez du carburant.
	La batterie est vide	Rechargez-la ou remplacez-la
	Vérifiez le niveau d'huile	Ajoutez de l'huile si nécessaire
	Le jeu des soupapes est incorrect	Ajustez le dégagement selon le manuel d'utilisation
	Segment de piston usé ou segments mal placés	Changez et ajustez les segments de piston
	Les boulons de la culasse ne sont pas serrés	Serrez les boulons
Le moteur fonctionne mais pas de sortie.	Le disjoncteur CA est sur « Éteint »	Mettez l'interrupteur CA principal en position « Allumé »
	Le contact de la prise n'est pas bon	Ajustez les supports de la prise
	AVR cassé	Remplacez l'AVR
	Autre.	Contactez l'assistance technique service@bpeholdings.co.uk .

FR

SPÉCIFICATIONS TECHNIQUES

MODÈLE :	LDG12S	LDG15S	LDG12S3	LDG15S3
Type	CA monophasé		Triphasé	
Fréquence (Hz)	50			
Puissance nominale (kW)	10	12	10	12
Puissance max (kW)	11	13	11	13
Tension (CA)	110,115,120, 220,230,240,120/240		220/380,240/415	
Facteur de puissance	0.8	1.0	0.8	1.0
Moteur	LA290F	LA292FA-C	LA290F	LA292FA-C
Type de moteur	4 temps, bicylindre, refroidissement par air			
Moteur CC	954	1064	954	1064
Alésage du moteur	90	92	90	92
Course du moteur	75	80	75	80
Vitesse (tr/mn)	3000			
Système de démarrage	Démarrage électrique			
Bruit dBA	<96	<85	<96	<85
Bruit à 7 m dBA	<69	<75	<69	<75
Capacité d'huile (L)	3			
Carburant	Diesel			
Capacité de carburant (L)	50	35	50	35
Fuel Consumption g/kWh	<350	<310	<350	<310
Capacité de fonctionnement (h)	<12			
Poids net (kg)	295	260	295	260
Dimensions (L x l x H) mm	1175 x 695 x 1025	1120 x 725 x 960	1175 x 695 x 1025	1120 x 725 x 960

GARANTIE

Chez Warrior, nous comprenons l'importance de la garantie pour le service et la réparation. Nous offrons actuellement une garantie standard de 2 ans (générateurs diesel Warrior) sans avoir à enregistrer votre achat. Nous avons toujours la possibilité d'enregistrer les produits pour les clients qui souhaitent utiliser le site web et rester en contact avec nous.

Veillez consulter les limitations ci-dessous et lire les conditions générales complètes concernant la garantie offerte sur un produit particulier.

Tout ce dont nous avons besoin, c'est d'une copie de la preuve d'achat originale ou d'une facture fournie par le détaillant au moment de l'achat pour permettre la réclamation. Veuillez conserver votre preuve d'achat en lieu sûr pendant toute la durée de vos conditions. Dans le cas où vous auriez besoin de notre assistance technique, nous vous demanderions de la fournir lors de chaque réclamation. SANS preuve d'achat toute réclamation de garantie sera retardée ou rejetée.

Garantie réparation/remplacement

Les générateurs diesel de la marque Warrior garantissent à l'acheteur original, pendant jusqu'à 2 ans d'usage domestique, que les composants mécaniques et électriques seront exempts de défauts de matériau et de fabrication pendant une durée de un (1) an [pièces et main-d'œuvre] et de deux (2) ans [pièces uniquement] à compter de la date d'achat originale ou 1 000 heures, selon ce qui survient en premier.

Usage industriel et commercial Un (1) an [pièces et main-d'œuvre] ou 500 heures, selon ce qui survient en premier.

Les frais de transport d'un produit soumis pour une réparation ou un remplacement dans le cadre de la présente garantie sont à entièrement à la charge de l'acheteur. La présente garantie ne s'applique qu'uniquement à l'acheteur original et n'est pas transférable.

Ne retournez pas l'appareil au point d'achat

Contactez le Service technique de Warrior et nous dépannerons votre problème par téléphone ou par e-mail. Si le problème n'est pas corrigé par cette méthode, Warrior pourra, à sa discrétion, autoriser une évaluation, une réparation ou un remplacement de la pièce défectueuse ou du composant défectueux dans notre propre Centre après-vente. Si un produit doit être remplacé, ce sera sur la base d'un produit similaire et non d'un produit neuf. Warrior vous fournira un numéro de dossier pour le service de garantie, qui peut être suivi via votre compte de connexion. Veuillez le conserver pour toute référence future. Les réparations ou les remplacements sans autorisation préalable, ou dans un établissement de réparations non agréé, ne seront pas couverts par la présente garantie. Nous avons des exclusions de garantie pour les clients en dehors du Royaume-Uni, veuillez consulter nos conditions générales complètes.

Exclusions de la garantie

La présente garantie ne couvre PAS ce qui suit :

Usure normale

Votre produit a besoin de pièces et de services périodiques pour fonctionner correctement. La présente garantie ne couvre pas la réparation quand l'usure normale a abîmé une pièce ou l'équipement dans son ensemble.

Installation, utilisation et entretien

La présente garantie ne s'applique pas aux pièces ou à la main-d'œuvre si votre produit est réputé avoir été mal utilisé, négligé, impliqué dans un accident, maltraité, surchargé au-delà des limites du générateur, modifié, installé d'une mauvaise manière ou connecté d'une mauvaise manière à un composant ou système électrique. L'entretien normal n'est pas couvert par la présente garantie.

Autres exclusions

La présente garantie exclut ce qui suit :

- défaut esthétique comme la peinture, les autocollants, etc.
- pièces usées, notamment les pistons et les segments, les bougies d'allumage et les filtres
- pièces accessoires, y compris les roues et les ensembles de recul
- défauts dus à des catastrophes naturelles et autres cas de force majeure échappant au contrôle du fabricant
- problèmes causés par des pièces qui ne sont pas des pièces d'origine de Warrior Power Equipment
- altération ou modification(s) effectuée(s) par toute partie autre que le fabricant, y compris l'extension de l'échappement et les systèmes de filtration
- tous les tuyaux en plastique ou en caoutchouc, les réducteurs et les régulateurs
- tout équipement électrique d'un tiers

Batterie 12 V

- toutes les batteries fournies de plus de 1 an.

Commutateur de transfert approprié

Tout système MTS (transfert manuel) et ATS (transfert automatique) autre que ceux fournis par nous-mêmes sous WARRIOR ou Warrior ne sera pas considéré comme approprié et annulera toutes les garanties données. Veuillez nous contacter directement avant d'installer un système de transfert.

Limites de la garantie implicite et des dommages indirects

Winch Solutions Ltd (CG) décline toute obligation de couvrir toute perte de temps, d'utilisation de ce produit, de fret, ou tout coût de réclamation accessoire ou consécutif par quiconque de l'utilisation de ce produit.

LA PRÉSENTE GARANTIE REMPLACE TOUTES LES AUTRES GARANTIES, EXPRESSES OU IMPLICITES, Y COMPRIS LES GARANTIES DE QUALITÉ MARCHANDE OU D'ADAPTATION À UN USAGE PARTICULIER.

Un appareil fourni en échange sera soumis à la garantie de l'appareil d'origine. La durée de la garantie régissant l'appareil échangé sera calculée en faisant référence à la date d'achat de l'appareil d'origine. La présente garantie vous donne certains droits légaux qui peuvent changer selon le pays. Votre pays peut également avoir d'autres droits auxquels vous pourriez prétendre qui ne sont pas répertoriés dans la présente garantie.

PREMESSA

Grazie per aver scelto il nostro prodotto.

Questo prodotto è garantito contro i difetti di fabbricazione per un periodo di 24 mesi dalla data di acquisto. Conservare la ricevuta come prova d'acquisto.

La garanzia decade se si scopre che il prodotto è stato usato in modo improprio o modificato/manomesso in qualsiasi modo, o non è stato utilizzato per lo scopo per cui è stato concepito. **La merce difettosa non deve essere restituita al luogo di acquisto**, il generatore deve essere restituito al fornitore del prodotto.

Nessun prodotto può essere restituito senza previa autorizzazione. La presente garanzia non pregiudica i diritti legali dell'utilizzatore.

Quando si contatta WPE per ricambi e/o l'assistenza, si deve fornire il modello completo e i numeri di serie del prodotto. Trascrivete le informazioni che si trovano sull'etichetta della targa del vostro prodotto nella tabella sottostante

TEAM DEL SUPPORTO TECNICO WPE
service@bpeholdings.co.uk
NUMERO DI MODELLO
NUMERO DI SERIE
DATA DI ACQUISTO
LUOGO DELL'ACQUISTO

IMPORTANTE

1. I minori devono essere tenuti a distanza di sicurezza dal generatore e non devono MAI azionarlo.
2. Un generatore nuovo ha bisogno di un periodo di rodaggio di circa 10 ore con un carico massimo non superiore al 75%. Dopo le prime 10 ore di funzionamento l'olio DEVE essere cambiato; l'olio consigliato è 10W30 a parzialmente o non sintetico.
3. Non toccare il motore o il silenziatore quando il generatore è in funzione. Prestare attenzione alle targhette di avvertimento e precauzione presenti sul generatore.
4. Prima dell'avviamento le apparecchiature elettriche (compresi i cavi e le spine di collegamento) devono essere in buone condizioni e devono essere ispezionate prima dell'uso.
5. In caso di sostituzione dell'interruttore automatico, le specifiche devono essere equivalenti o superiori a quelle dell'interruttore automatico da rimuovere.
6. A causa delle elevate sollecitazioni meccaniche, si consiglia di utilizzare solo cavi con guaina in gomma.
7. Quando si utilizzano prolunghe o armadietti di distribuzione mobili, il cavo con sezione da 1,5 mm² non deve essere più lungo di 50 metri; mentre il cavo con sezione da 2,5 mm² non deve essere più lungo di 100 metri.
8. In caso di avviamento manuale, utilizzare sempre la leva di decompressione. (SOLO per il tipo a telaio aperto)
9. In condizioni ambientali di lavoro standard (da -5 a +40 gradi centigradi), il generatore può funzionare a carichi di esercizio normali. Se le condizioni di lavoro dell'ambiente circostante non sono normali, le temperature sono cioè troppo alte o troppo basse, si deve fare funzionare il generatore a una potenza inferiore, non superando il 75% del carico massimo. Quando la temperatura, l'altitudine e l'umidità sono superiori alle condizioni di lavoro standard, il generatore DEVE ridurre il carico di uscita a non più del 75% del carico massimo.
10. Prima di qualsiasi ispezione o manutenzione del generatore, il motore deve essere fermato e lasciato raffreddare per almeno 30 minuti. Controllare e sottoporre a manutenzione il generatore secondo la tabella della manutenzione periodica e la scheda della manutenzione programmata presente nel manuale.
11. Ad eccezione della manutenzione o della pulizia giornaliera, qualsiasi ispezione o regolazione deve essere effettuata da personale professionale autorizzato, che deve procurarsi i componenti originali richiesti dal fornitore. (Contattare i rivenditori locali).
12. La macchina appena revisionata deve effettuare un periodo di rodaggio di almeno 10 ore a una potenza non superiore al 75% del carico massimo.

CARATTERISTICHE

Il generatore diesel WPE possiede le seguenti caratteristiche:

Questa serie di generatori diesel adotta un motore diesel di tipo superleggero, raffreddato ad aria, a 4 tempi a iniezione diretta e dispone di due opzioni di avviamento:

1. Avviamento a strappo
2. Avviamento elettrico.

Sono dotati di serbatoio del carburante di grande capacità, sistema di protezione del circuito, uscite di tensione CA e per certi modelli CC, allarme di bassa pressione dell'olio e dispositivo di arresto automatico.

Il generatore diesel funge da UPS per l'alimentazione in stand-by in molte applicazioni diverse, tra cui cantieri all'aperto, edilizia e attività militari sul campo. Alimentazione di emergenza per allevamenti di pollame, pesca, silvicoltura, giardini, hotel, negozi e uffici.

Il presente manuale operativo illustra le modalità di funzionamento e manutenzione del vostro nuovo generatore diesel. Prima di utilizzare il generatore diesel, leggerlo con attenzione al fine di garantire una gestione e un funzionamento corretti. Seguendo attentamente queste istruzioni, il generatore diesel si manterrà nelle migliori condizioni di funzionamento, così da prolungare al massimo la propria vita utile.

In caso di domande sul nuovo prodotto o sulle informazioni contenute nel presente manuale, contattare service@bpeholdings.co.uk.

PARAMETRI

I generatori possono generare la potenza specificata quando vengono utilizzati nelle seguenti condizioni:

Altitudine: < 1000m

Temperatura ambiente: da 5 a 40°C

Umidità relativa: <90%

ATTENZIONE

I gas di scarico e i silenziatori sono molto caldi al tatto. NON aggiungere o installare prolunghe per scarichi/silenziatori, perché in questo modo si annulla la garanzia offerta.

Prevenzione delle ustioni

Non toccare o maneggiare MAI lo scarico/silenziatore e il motore quando il generatore è in funzione o è caldo; attendere sempre circa 30 minuti per far raffreddare lo scarico/silenziatore e il motore prima di maneggiarli.

ATTENZIONE

Se il generatore deve essere utilizzato con un pannello ATS, dovrà essere innescato o avviato una volta al mese, altrimenti si verificherà uno scarico di carburante e(o) il deterioramento del carburante causando il mancato avvio del generatore e il guasto del pannello ATS.

NON TENTARE MAI di installare questo generatore su qualsiasi altro sistema ATS, non funzionerà e molto probabilmente danneggerà l'unità.

Tutte le installazioni elettriche DEVONO essere effettuate da un elettricista qualificato approvato. Non provare mai a farlo autonomamente.

IMPORTANTE

Leggere e comprendere il presente manuale d'uso per garantire un funzionamento sicuro e di prestare la massima attenzione ai seguenti punti principali del funzionamento, altrimenti si potrebbero causare lesioni personali e danni all'apparecchiatura.

Prevenzione degli incendi

Il carburante del motore diesel è il gasolio leggero, quindi non si deve MAI usare benzina, cherosene ecc.

Eliminare tutte le fuoriuscite di carburante con un panno pulito. Tenere benzina, cherosene, fiammiferi e altri esplosivi e sostanze infiammabili lontano dal generatore, poiché la temperatura intorno al silenziatore è molto elevata durante il funzionamento. Per evitare rischi di incendio e per garantire un'adeguata ventilazione, tenere il generatore ad almeno 1,5 metri di distanza da edifici, strutture e altre apparecchiature durante il funzionamento.

Utilizzare il generatore su una superficie piana; se il generatore è inclinato, potrebbero verificarsi fuoriuscite di combustibile o un cattivo funzionamento.

Prevenzione dell'inalazione dei gas di scarico

I gas di scarico contengono monossido di carbonio, che è velenoso. Utilizzare sempre il generatore all'aperto, a una distanza minima di 1,5 m da finestre, porte o aperture.

I generatori non devono mai essere utilizzati in ambienti chiusi, in garage, cabine, fabbricati annessi, capannoni o in qualsiasi spazio ristretto, compresi i veicoli e gli abitacoli dei veicoli.

Scosse elettriche, cortocircuiti

Per evitare scosse elettriche o cortocircuiti, non toccare mai il generatore con le mani bagnate o se il generatore è bagnato.

Questo generatore non è impermeabile, pertanto non deve MAI essere utilizzato in un luogo esposto a pioggia, neve o spruzzi d'acqua. Il generatore deve essere messo a terra per evitare scosse elettriche. Collegare un cavo di grosso diametro tra il terminale di messa a terra del generatore e un dispositivo di messa a terra esterno, un'asta di terra o un picchetto che sia profondo almeno 200 mm.

Non collegare alcuna apparecchiatura al generatore prima di averlo avviato.

⚠ ATTENZIONE

La maggior parte dei motori degli elettrodomestici richiede una potenza superiore a quella nominale per l'avvio. Non superare il limite di corrente specificato per una singola presa.

Ricarica della batteria

L'elettrolita della batteria contiene acido solforico. Proteggere gli occhi, la pelle e gli indumenti. In caso di contatto, sciacquare abbondantemente con acqua e consultare tempestivamente un medico, soprattutto se gli occhi sono colpiti.

Le batterie generano idrogeno gassoso, che può provocare fiamme o scintille in prossimità della batteria, soprattutto durante la ricarica.

Caricare la batteria in un'area completamente ventilata.

⚠ ATTENZIONE

È importante sapere come arrestare rapidamente il generatore e comprendere come utilizzare tutti i comandi. Non permettere mai a nessuno di azionare il generatore senza conoscere le dovute istruzioni.

Indossate sempre il casco, le scarpe di sicurezza e un abbigliamento adeguato. Tenere gli animali domestici e i bambini lontani dal generatore quando è in funzione.

PREPARAZIONE PRIMA DELL'AVVIO

Selezione e gestione del carburante

- È possibile utilizzare solo gasolio leggero.
- Il carburante deve essere filtrato.
- Il carburante deve essere privo di acqua o polvere, perché possono contaminare il sistema di iniezione.
- Non riempire eccessivamente il serbatoio oltre la parte superiore del tappo rosso all'interno del filtro del serbatoio del carburante; utilizzare l'indicatore

di livello del carburante sulla parte superiore del serbatoio.

- Non fumare e non permettere la formazione di scintille nell'area in cui il motore viene rifornito di carburante o in cui viene immagazzinata la benzina.
- Fare attenzione alle fuoriuscite di carburante durante il rifornimento e assicurarsi che il tappo del filtro sia ben chiuso.

Selezione e manipolazione dell'olio

- Controllare il livello dell'olio prima di ogni operazione.
- Posizionare il generatore su una superficie piana.
- Aprire lo sportello per trovare l'astina dell'olio.
- Per controllare il livello dell'olio, è sufficiente immergere l'astina nella vaschetta. Non avvitarne l'astina di livello durante il controllo.



AVVISO

Nulla influisce sulle prestazioni e sulla durata del generatore più dell'olio utilizzato. Se si utilizza un olio di qualità inferiore o se l'olio del motore non viene cambiato regolarmente, aumenta notevolmente il rischio di grippaggio del pistone, di incollaggio delle fasce elastiche e di usura accelerata delle pareti del cilindro, dei cuscinetti e di altri componenti mobili.

- Assicurarsi di controllare il livello dell'olio e di rabboccarlo fino al livello specificato prima di avviare il generatore, anche se è dotato di un sistema di segnalazione di bassa pressione dell'olio.
- Se il generatore non si avvia entro il 5° tentativo o si avvia e si spegne, il livello dell'olio è troppo basso e deve essere rabboccato.

AVVISO

L'olio deve essere sostituito dopo le prime 20 ore (o 1 mese) di utilizzo e successivamente ogni 3 mesi o 100 ore di utilizzo.

Assicurarsi di scaricare l'olio quando il motore è caldo, ma non bollente. È più difficile scaricare completamente l'olio dopo il raffreddamento.

⚠ ATTENZIONE

MAI rabboccare o tentare di cambiare l'olio nel generatore mentre il motore è in funzione.

Controllo del filtro dell'aria

- Allentare il dado ad alette, staccare il coperchio del filtro dell'aria e rimuovere l'elemento. Non lavare l'elemento del filtro dell'aria con detergenti. Usare acqua o benzina (DEVONO essere lasciati asciugare prima di essere sostituiti).
- L'elemento del filtro dell'aria deve essere sostituito quando la potenza del motore diminuisce o il colore dello scarico è anomalo.
- Non far mai funzionare il generatore senza l'elemento del filtro dell'aria. Ciò può causare una rapida usura del motore.
- Rimontare il coperchio del filtro dell'aria e serrare il dado ad alette.

Assicurarsi che nessun carico sia collegato al generatore

- Spegner l'interruttore principale e qualsiasi altro carico.
- Assicurarsi di spegnere l'interruttore principale prima di avviare il generatore. Se l'interruttore non è in posizione "OFF", l'applicazione improvvisa del carico potrebbe essere molto pericolosa all'avvio del motore diesel.
- Il generatore deve essere messo a terra per evitare scosse elettriche. (Consigliato).

Gestione del generatore a doppia tensione

- Funzionamento del commutatore: L'interruttore del circuito CA sul pannello di controllo deve essere impostato sulla posizione "OFF" prima di mettere in funzione la macchina. Dopo l'avviamento del generatore, lasciare che la velocità raggiunga il numero di giri nominale e quindi portare l'interruttore del circuito CA in posizione "ON", in modo da

poter utilizzare le prese per il funzionamento delle apparecchiature.

- Non cercare MAI di passare da una tensione all'altra quando l'interruttore automatico CA è su ON e l'apparecchiatura utilizzatrice è collegata.
- Impostare l'interruttore principale CA sulla posizione "OFF" quando si utilizza l'alimentazione a 12 V CC.

Controllo della presa d'aria**⚠ ATTENZIONE**

Il CARBURANTE e l'OLIO motore vengono scaricati in fabbrica prima del trasporto. I generatori vanno svuotati prima del rimessaggio.

- Verificare la presenza di una camera d'aria nella condotta del carburante e controllare se è presente anche aria nella condotta, nel qual caso, scaricare l'aria dalla condotta prima di fare rifornimento e avviare il motore diesel.
- Il filtro del carburante deve essere pieno almeno al 75%, se non lo è potrebbe essere presente dell'aria nel sistema.
- Il metodo per rimuoverla consiste nell'allentare il raccordo con il dado premistoppa da 17 mm tra la pompa di iniezione e la tubazione in ottone ad alta pressione, mettere la leva di marcia in posizione "RUN" (in marcia) e fare girare il motore fino a quando il carburante non inizia a fuoriuscire.
- Sostituire e serrare nuovamente il dado premistoppa da 17 mm e ripetere la procedura se il motore continua a non avviarsi.

FUNZIONAMENTO**Funzione preriscaldatore**

Questo generatore è dotato di una funzione del pulsante di preriscaldamento per temperature fredde inferiori a 0°C, questa funzione è progettata per riscaldare il motore e lubrificare prima utilizzando l'alimentazione a 12 V CC fornita dalla batteria prima che il motore venga avviato.

Se la temperatura esterna è inferiore a 0°C si consiglia di utilizzare il pulsante funzione preriscaldatore prima di avviare il motore.

1. Ruotare la chiave di accensione in posizione "ON".
2. Tenere premuto il pulsante del preriscaldatore per almeno 5 secondi finché non appare la luce rossa fissa.

3. Rilasciare il pulsante e avviare normalmente il generatore utilizzando la chiave o il telecomando (solo modelli con telecomando wireless)

Se il generatore non si avvia, ripetere i passaggi 1-3 al massimo 3 volte, se il generatore non si avvia dopo 3 tentativi, contattare il servizio di assistenza locale.

Sistema di avviso di livello olio basso

- Questo dispositivo agisce per arrestare automaticamente il motore quando la pressione dell'olio scende al di sotto del livello minimo previsto e impedisce il grippaggio del motore quando il livello dell'olio motore è basso o la pressione del motore cade.
- La temperatura dell'olio aumenta se il motore viene fatto funzionare con una quantità insufficiente di olio motore. D'altra parte, una quantità eccessiva di olio è pericolosa in quanto l'olio può bruciare e causare un aumento improvviso ed eccessivo del numero di giri del motore, quindi, prima di OGNI avviamento della macchina, ricordarsi di controllare l'olio e di rabboccarlo al livello specificato, qualora fosse necessario.

Spia di avvertimento olio basso

Il generatore è dotato di una spia di avvertimento basso livello olio.

Se l'evento in cui la luce è illuminata in "rosso fisso", il generatore richiede l'aggiunta immediata di olio.

1. Interrompere immediatamente l'esecuzione dell'applicazione e spegnere il motore e lasciare raffreddare per circa 10-15 minuti.
2. Rimuovere l'astina di livello dell'olio e pulirla.
3. Aggiungere l'olio, utilizzando un imbuto dell'olio (non fornito) e controllare utilizzando l'astina di livello dell'olio (come buona regola generale l'olio è pieno quando è visibile visivamente sulle filettature medio/superiori della porta). Se si utilizza l'astina di livello dell'olio, NON avvitare MAI l'astina di livello dell'olio per eseguire una lettura, appoggiarla semplicemente sulla parte superiore della porta e visualizzare la lettura.
4. Riavvitare l'astina di livello dell'olio
5. Far funzionare il motore per 10 minuti senza alcun carico consentendo all'olio di circolare completamente.
6. Controllare nuovamente il livello dell'olio.

La mancata aggiunta della capacità dell'olio consigliata può comportare una maggiore usura del motore e/o danni al motore

Aprire lo sportello e il coperchio del quadro.

Aprire lo sportello del quadro e sollevare lo sportello e controllarlo ogni giorno.

1. Girare la maniglia in senso antiorario per aprire lo sportello del quadro.
2. Girare la maniglia in senso orario per bloccare lo sportello del quadro.

Funzionamento in rodaggio

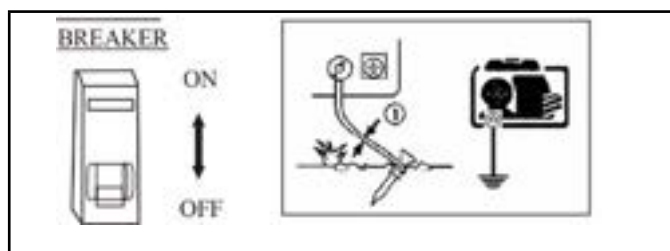
Quando il generatore è ancora nuovo, l'applicazione di carichi pesanti può ridurre la durata del motore. Seguire le procedure di rodaggio durante le prime 20 ore.

1. Evitare di applicare un carico pesante durante il periodo di rodaggio.
2. Cambiare regolarmente l'olio motore. Cambiare l'olio motore ogni 20 ore o un mese dopo il primo utilizzo e successivamente ogni 3 mesi o 100 ore.

Avviare il generatore

Avvio elettrico

1. Portare l'interruttore del circuito CA in posizione "OFF", assicurarsi che il generatore sia collegato a terra con una barra di terra di 200 mm.



2. Girare la chiave di avviamento in posizione "Start" (avvio). (per non più di 8 secondi).
3. Togliere la mano dalla chiave non appena il motore si avvia e lasciare che la chiave torni automaticamente nella posizione iniziale.

⚠ ATTENZIONE

Se il motorino di avviamento non si avvia, attendere almeno 30 secondi prima di tentare un nuovo avvio.

⚠ ATTENZIONE

*Nota: Se il motorino di avviamento viene fatto funzionare troppo a lungo, la batteria si scarica.

Batteria

Controllare il livello del liquido nella batteria una volta al mese. Quando il livello scende al di sotto della tacca di livello minimo, rabboccare con acqua distillata fino alla tacca di livello massimo.

Se il liquido della batteria è basso, il motore potrebbe non avviarsi perché l'elettricità che arriva al motorino di avviamento è insufficiente. Mantenere sempre il livello del fluido tra la tacca superiore e quella inferiore.

Se si introduce una quantità eccessiva di liquido della batteria, il liquido può fuoriuscire e corrodere le parti circostanti. **NON** riempire eccessivamente.

Le batterie sono coperte da una garanzia di 1 anno dalla data di acquisto originale.

Funzionamento del generatore

1. Riscaldare il motore senza carico per circa 10 minuti.
2. Il nostro generatore è dotato di un sistema di segnalazione di livello basso dell'olio motore. Il motore si arresta automaticamente in caso di bassa pressione dell'olio o di mancanza di olio lubrificante. Il motore si arresta immediatamente se viene riavviato senza un rabbocco di olio lubrificante. Come controllare il livello dell'olio e rabboccarlo
3. Non allentare o regolare il bullone di limitazione del regime del motore o il bullone di limitazione dell'iniezione di carburante (sono stati impostati in fabbrica) per non compromettere le prestazioni e il risparmio di carburante.

Controllo durante il funzionamento

1. Si percepiscono suoni o vibrazioni anomale?
2. Il motore si avvia a fatica o funziona in modo irregolare.
3. Di che colore sono i gas di scarico? (Sono neri o troppo bianchi?)

Se si rileva uno dei fenomeni sopra descritti, arrestare il motore e consultare il concessionario più vicino o contattare l'assistenza tecnica all'indirizzo service@bpeholdings.co.uk.

Funzionamento in CA

1. Avviare il motore e verificare che la spia pilota "VERDE" si accenda. In caso contrario, il filamento potrebbe essere bruciato.
2. La velocità del generatore deve raggiungere la velocità nominale (leva al massimo).
3. Il generatore è in grado di alimentare i carichi quando l'indicatore del voltmetro mostra $240 \pm 10\%$ (50Hz) sul pannello della centralina.

4. Collegare l'apparecchio.

ATTENZIONE

Non avviare due o più macchine contemporaneamente. Avviarle una per volta. Non utilizzare i proiettori insieme ad altre macchine.

5. Assicurarsi che tutte le apparecchiature siano in buone condizioni di funzionamento prima di collegarle al generatore.
6. Se un apparecchio o un pezzo di apparecchiatura inizia a funzionare in modo anomalo, diventa lento o si ferma improvvisamente, spegnere immediatamente il generatore. Quindi scollegare l'apparecchio ed esaminarlo per individuare eventuali segni di malfunzionamento.
7. Se il sovraccarico del circuito fa scattare la protezione del circuito CA, ridurre il carico elettrico sul circuito e attendere qualche minuto prima di riprendere il funzionamento.
8. Se il voltmetro del display LCD indica un valore troppo basso o troppo alto, arrestare la macchina ed esaminare la causa del guasto.

Funzione ATS

Il generatore può essere dotato di presa di ingresso ATS, questa può essere collegata SOLO fino a un pannello Warrior ATS (190102000010). **NON TENTARE MAI** di installarlo su qualsiasi altro sistema, non funzionerà e molto probabilmente danneggerà l'unità.

Tutte le installazioni elettriche DEVONO essere effettuate da un elettricista qualificato approvato, non provare mai a farlo autonomamente.

Collaudo mediante la funzione ATS

1. Ruotare la chiave in posizione "OFF"
2. Inserire manualmente il filtro del carburante
3. Avviare il generatore ruotando la chiave in posizione "START" (in senso orario) e rilasciare una volta avviato il motore, lasciare riscaldare per 5-10 minuti
4. Arrestare il generatore ruotando la chiave in posizione "OFF".
5. Collegare il cavo di comunicazione (fornito nel pannello ATS)
6. Collegare i generatori all'alimentazione elettrica
7. Spegnere l'alimentazione principale in arrivo
8. Dopo circa 6 secondi il generatore tenterà l'avvio (3 tentativi).
9. Se nel caso in cui il generatore non si avvia al primo tentativo, proverà altre 2 volte e poi si guasterà.

⚠ ATTENZIONE

Nota: se si riceve un errore al primo o al secondo tentativo, potrebbe trattarsi di un problema con l'alimentazione del carburante (indagare, cancellare e riprovare).

Se si riceve un guasto dopo 3 tentativi potrebbe essere un problema con il pannello ATS o il generatore e deve essere indagato.

Se il generatore deve essere utilizzato con il pannello ATS, dovrà essere innescato manualmente settimanalmente e avviato una volta al mese, altrimenti si verificherà lo scarico del carburante e(o) il deterioramento del carburante causando il mancato avvio del generatore e il guasto del pannello ATS.

In tal caso, controllare e pulire il sistema di iniezione del carburante.

Arresto del generatore

1. NON arrestare il generatore quando è sotto carico. Ciò danneggerà il generatore.
2. Spegnerne l'interruttore automatico della corrente alternata CA.
3. Ruotare la chiave di accensione in senso antiorario in posizione "OFF".

MANUTENZIONE

I controlli e la manutenzione periodica sono molto importanti per mantenere il motore in buone condizioni. Leggere la descrizione dettagliata delle istruzioni per l'uso di ciascun componente.

Spegnerne il motore prima di eseguire qualsiasi intervento di manutenzione. Se il motore deve funzionare, assicurarsi che l'area sia ben ventilata. I gas di scarico contengono monossido di carbonio, un gas velenoso.

Dopo l'uso del motore, pulirlo immediatamente con un panno per evitare la corrosione e rimuovere i sedimenti.

OGNI GIORNO

- ☐ Controllare il livello dell'olio
- ☐ Controllo e rifornimento di carburante
- ☐ Verificare la presenza di perdite d'olio
- ☐ Liquido della batteria
- ☐ Filtro dell'aria
- ☐ Controllare e serrare le parti del motore se allentate

PRIME 20 ORE

- ☐ Cambiare l'olio
- ☐ Pulire il filtro dell'olio

OGNI 100 ORE O 3 MESI

- ☐ Olio per catene
- ☐ Sostituire il filtro dell'olio
- ☐ Sostituire il filtro del carburante
- ☐ Pulire il filtro dell'aria
- ☐ Controllare/regolare il gioco delle valvole*

OGNI 2 ANNI

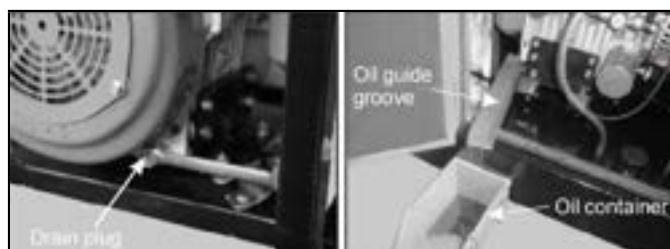
- ☐ Sostituire il tubo del carburante*

*Sono necessari strumenti o competenze speciali: non tentare di farlo da soli, ma consultare l'assistenza tecnica all'indirizzo service@bpeholdings.co.uk.

Sostituzione dell'olio motore (ogni 100 ore)

Riempire con l'olio raccomandato 10W30 non o parzialmente sintetico.

1. Aprire lo sportello sinistro, utilizzare la forcella per sbloccare il tappo di scarico (senza togliere la vite), inserire la scanalatura di guida dell'olio sotto il tappo di scarico, lasciare che l'uscita si colleghi al contenitore dell'olio, quindi rimuovere completamente il tappo di scarico dell'olio.
2. Iniziare a far uscire l'olio e quando la coppa dell'olio è vuota, se necessario, usare il gasolio per pulire l'interno del blocco dei cilindri.
3. Riposizionare il tappo di scarico.



4. Spostare il coperchio arrotondato in plastica sulla parte superiore del generatore, svitare il tappo dell'olio della testata, riempire l'olio fino a raggiungere il limite massimo dell'indicatore dell'olio e infine riavvitare il perno della testata.



Pulizia del filtro dell'aria (ogni 100 ore)

Spostando la piastra superiore e il coperchio posteriore del generatore, si vedrà il filtro dell'aria. Allentare la molletta, scaricare la metà inferiore del filtro dell'aria ed estrarre l'elemento filtrante al centro; lavare l'elemento filtrante con gasolio e reinserirlo nel filtro dell'aria dopo averlo asciugato.



Controllo e rifornimento del liquido della batteria e ricarica della batteria (ogni mese)

Questo motore diesel utilizza una batteria da 12 V. Il liquido della batteria si disperde a causa delle continue cariche e scariche.

Prima dell'avviamento, verificare l'assenza di danni fisici alla batteria e il livello dell'elettrolito e, se necessario, rabboccare con acqua distillata fino alla tacca superiore. Quando si scopre un danno effettivo, sostituire immediatamente la batteria. Le batterie sono coperte da una garanzia di 12 mesi dalla data di acquisto originale.

RIMESSAGGIO

Se il generatore deve essere messo in magazzino per lungo tempo, è necessario effettuare i seguenti preparativi.

1. Far funzionare il motore diesel per circa 10 minuti senza carico e fermarlo.
2. Attendere circa 10 minuti e, con il motore è ancora caldo, scaricare l'olio motore, quindi rabboccare con nuovo olio motore 10W30.

RISOLUZIONE DEI PROBLEMI

Problema	Causa	Soluzione
Il motore non si avvia.	Manca carburante.	Aggiungere carburante.
	La batteria è scarica	Ricaricare o sostituire
	Controllare il livello dell'olio	Aggiungere olio, se necessario
	Il gioco delle valvole non è corretto	Regolare il gioco come da manuale operativo
	Fascia elastica usurata o fasce nella posizione sbagliata	Sostituzione e regolazione delle fasce elastiche
	I bulloni della testa del cilindro non sono serrati	Serrare i bulloni
Il motore è in funzione ma non produce alimentazione.	L'interruttore automatico della CA è disattivato	Posizionare l'interruttore generale CA su "ON".
	Il Contatto della presa è difettoso	Regolare i piedini della presa
	L'AVR è rotto	Sostituire l'AVR
	Altro.	Contattare l'assistenza tecnica service@bpeholdings.co.uk .

SPECIFICHE TECNICHE

MODELLO:	LDG12S	LDG15S	LDG12S3	LDG15S3
Tipo	CA monofase		Trifase	
Frequenza (Hz)	50			
Potenza nominale (kW)	10	12	10	12
Potenza massima (kW)	11	13	11	13
Tensione (CA)	110,115,120, 220,230,240,120/240		220/380,240/415	
Fattore di potenza	0.8	1.0	0.8	1.0
Tipo di motore	LA290F	LA292FA-C	LA290F	LA292FA-C
Tipo di motore	4 tempi, bicilindrico, raffreddato ad aria			
Motore CC	954	1064	954	1064
Foro del motore	90	92	90	92
Corsa del motore	75	80	75	80
Velocità (giri/min)	3000			
Sistema di avviamento	Avvio elettrico			
Rumore dBA	<96	<85	<96	<85
Rumore a 7 m dBA	<69	<75	<69	<75
capacità di olio (L)	3			
Carburante	Diesel (motore a gasolio)			
Capacità del carburante (L)	50	35	50	35
Consumo di carburante g/kWh	<350	<310	<350	<310
Capacità di funzionamento (ora)	<12			
Peso netto (kg)	295	260	295	260
Dimensioni (L x P x A) mm	1175 x 695 x 1025	1120 x 725 x 960	1175 x 695 x 1025	1120 x 725 x 960

GARANZIA

In Warrior siamo consapevoli dell'importanza della garanzia per l'assistenza e la riparazione; ora offriamo una garanzia standard di 2 anni (generatori diesel Warrior) senza la necessità di registrare l'acquisto. Abbiamo ancora la possibilità di registrare il prodotto per i clienti che desiderano utilizzare il sito web e tenersi in contatto con noi.

Visualizzare le limitazioni di seguito e di leggere i Termini & Condizioni complete sulla garanzia offerta per un determinato prodotto.

Per poter presentare il reclamo è sufficiente una copia della prova d'acquisto originale o una fattura fornita dal Rivenditore al momento dell'acquisto. Si prega di conservare la prova d'acquisto per tutta la durata della garanzia. Nell'improbabile caso in cui abbiate bisogno del nostro supporto tecnico vi chiederemo di fornircela per ogni richiesta, in quanto senza una prova d'acquisto, le richieste di garanzia potranno subire ritardi nell'evasione o venire rifiutate.

Garanzia di riparazione/sostituzione

I generatori diesel di marca Warrior garantiscono all'acquirente originale fino a 2 anni di uso domestico durante il quali i componenti meccanici ed elettrici saranno privi di difetti di materiale e di fabbricazione per un periodo di un (1) anno [ricambi e manodopera] e per un periodo di due (2) anni [solo ricambi] dalla data originale di acquisto o 1000 ore utilizzo, a seconda di quale evento si verifichi prima.

Uso industriale e commerciale Un (1) anno [ricambi e manodopera] o 500 ore di utilizzo, a seconda di quale evento si verifichi prima.

Le spese di trasporto sul qualsiasi prodotto inviato per la riparazione o la sostituzione sotto questa garanzia sono di esclusiva responsabilità dell'acquirente. Questa garanzia si applica solo all'acquirente originale e non è trasferibile.

Non restituire l'unità al luogo di acquisto

Si prega di contattare il servizio tecnico Warrior e saremo in grado di risolvere qualsiasi problema per telefono o via e-mail. Se il problema non viene corretto con questo metodo, Warrior autorizzerà, a sua discrezione, la valutazione, la riparazione o la sostituzione della pezzo o del componente difettoso presso un centro di assistenza Warrior. Se e quando un prodotto deve essere sostituito, lo sarà a parità di condizioni e non in base al rapporto vecchio/nuovo. Warrior fornirà un numero di pratica per l'assistenza in garanzia, che potrà essere monitorata attraverso l'account di accesso. Si prega di conservarlo quale riferimento futuro. Riparazioni o sostituzioni senza autorizzazione preventiva, o presso una struttura di riparazione non autorizzata, non saranno coperte da questa garanzia. Sono previste esclusioni dalla garanzia per i clienti al di fuori del Regno Unito, si prega di consultare i nostri Termini e Condizioni.

Esclusioni di garanzia

La presente garanzia NON copre quanto segue:

Usura normale

Per un corretto funzionamento, questo prodotto ha bisogno di ricambi e assistenza periodica. Questa garanzia non copre la riparazione quando l'uso normale ha esaurito la vita utile di un componente o dell'apparecchiatura nel suo insieme.

Installazione, uso e manutenzione

Questa garanzia non si applica alle parti o alla manodopera se si ritiene che il prodotto sia stato usato male, trascurato, coinvolto in un incidente, usato in modo improprio, sottoposto a carichi oltre i limiti previsti del generatore, modificato, installato in modo improprio o collegato in modo errato a qualsiasi componente elettrico. La normale manutenzione non è coperta da questa garanzia.

Altre esclusioni

Questa garanzia esclude:

- difetti cosmetici come vernice, adesivi, ecc.
- parti usurate, compresi pistoni e fasce, candele e filtri
- parti accessorie, comprese ruote e gruppi di avviamento a strappo
- guasti dovuti a cause di forza maggiore e altri eventi fuori dal controllo del produttore.
- problemi causati da parti che non sono originali Warrior Power Equipment.
- alterazioni o modifiche apportate da terzi diversi dal produttore, compresi i sistemi di estensione e filtraggio degli scarichi.
- tutti i tubi flessibili in plastica o gomma, le valvole riduttrici e i regolatori
- qualsiasi apparecchiatura elettrica di terzi

Batteria 12v

- Tutte le batterie fornite da più di 1 anno.

Interruttore di trasferimento (TS) adeguato

Qualsiasi sistema MTS (Manual Transfer) e ATS (Automatic Transfer) diverso da quelli forniti da noi come WARRIOR o Warrior non sarà considerato idoneo e invaliderà tutte le garanzie fornite. Vi preghiamo di contattarci prima di installare un sistema di trasferimento.

Limiti della garanzia implicita e danni consequenziali

Winch Solutions Ltd (CG) declina ogni obbligo di coprire qualsiasi perdita di tempo, uso di questo prodotto, trasporto, o qualsiasi reclamo per costi incidentali o consequenziali da parte di chiunque utilizzi di questo prodotto.

LA PRESENTE GARANZIA SOSTITUISCE TUTTE LE ALTRE GARANZIE, ESPRESSE O IMPLICITE, COMPRESSE LE GARANZIE DI COMMERCIALITÀ O DI IDONEITÀ A UNO SCOPO PARTICOLARE.

Un'unità fornita come sostituzione sarà soggetta alla garanzia dell'unità originale. La durata della garanzia dell'unità in sostituzione rimarrà calcolata in riferimento alla data di acquisto dell'unità originale. La presente garanzia conferisce all'utente alcuni diritti legali che possono variare da paese a paese. Il vostro Paese potrebbe anche avere altri diritti a cui potreste avere titolo che non sono elencati nella presente garanzia.

INTRODUCCIÓN

Gracias por comprar nuestro producto.

Este producto está cubierto por la garantía en casos de fabricación defectuosa durante un período de 24 meses a partir de la fecha de compra. Guarde su recibo como prueba de compra.

Esta garantía no es válida si se descubre que se ha hecho un mal uso del producto o ha sido manipulado de alguna manera, o si no se ha utilizado para el propósito para el que fue destinado. **Los productos defectuosos no deben devolverse al lugar de compra**, el generador debe devolverse al proveedor del producto. Ningún producto puede ser devuelto sin permiso previo. Esta garantía no afecta a sus derechos legales.

Al contactar con WPE en relación con piezas y/o servicio técnicos, deberá facilitar los números de modelo y de serie completos de su producto. Transcriba a la siguiente tabla la información indicada en la placa de características de su producto.

EQUIPO DE ASISTENCIA TÉCNICA DE WPE
service@bpeholdings.co.uk
NÚMERO DE MODELO
NÚMERO DE SERIE
FECHA DE COMPRA
LUGAR DE COMPRA

IMPORTANTE

1. Los niños deben mantenerse a una distancia segura del generador y NUNCA se les debe permitir utilizarlo.
2. Su nuevo generador necesita una interrupción en el período de aproximadamente 10 horas sin que se aplique más del 75 % de carga máxima. Después de las primeras 10 horas el aceite DEBE ser cambiado, aceite recomendado 10W30 bajo o no sintético.
3. No toque el motor o el silenciador mientras el generador esté en funcionamiento. Preste atención a las pegatinas de advertencia y precaución en el generador.
4. El equipo eléctrico (incluido el cable y el componente de conexión del enchufe) debe estar en buenas condiciones y debe inspeccionarse antes de su uso.
5. Si se reemplaza el disyuntor, debe ser equivalente o mejor en especificación del que se va a quitar.
6. Debido a la alta tensión mecánica, solo se recomienda el uso de cables revestidos de goma.
7. Cuando se utilicen cables de extensión o armarios de distribución móviles, el cable con sección transversal de 1,5 mm² no debe tener más de 50 metros; y para la sección transversal de 2,5 mm², el cable no debe tener más de 100 metros de longitud.
8. Con el arranque manual, utilice siempre la palanca de descompresión. (SOLO en el tipo de bastidor abierto)
9. En condiciones ambientales de trabajo estándar (de menos 5 a 40 grados centígrados), el generador se puede utilizar con cargas de funcionamiento normales. Si las condiciones de trabajo no son normales, ya sea demasiado altas o demasiado bajas, el generador debe funcionar a una salida más baja de no más del 75 % de carga máxima. Cuando la temperatura, la altitud y la humedad son más altas que las condiciones de trabajo estándar, el generador DEBE reducir la carga de salida a no más del 75 % de carga máxima.
10. Antes de cualquier inspección o mantenimiento del generador, el motor debe detenerse y dejarse enfriar durante un mínimo de 30 minutos. Compruebe y mantenga el generador de acuerdo con la tabla de períodos y la hoja de programación del manual.
11. Excepto el mantenimiento o limpieza diaria, cualquier inspección o reajuste debe ser realizado por una persona profesional autorizada y obtener los componentes originales solicitados por ellos del proveedor. (Póngase en contacto con sus distribuidores locales).
12. Su máquina recién revisada debe soportar un período de rotura de al menos 10 horas, la salida no debe exceder el 75 % de la carga máxima.

CARACTERÍSTICAS

El generador diésel WPE posee las siguientes características:

Este generador diésel de la serie adopta un tipo súper ligero, refrigerado por aire, motor diésel de inyección directa de 4 tiempos y tiene dos opciones de arranque:

1. Arranque de retroceso
2. Arranque eléctrico.

Están equipados con tanque de combustible de gran capacidad, protector de circuito, salidas de voltaje A.C y, a veces, D.C, alarma de baja presión de aceite y dispositivo de parada automática.

El generador diésel sirve como fuente de alimentación de reserva de UPS en muchas aplicaciones diferentes, incluido el sitio de trabajo abierto, la construcción y el ejército de campo. Alimentación de emergencia de granja avícola, pesca, silvicultura, jardín, hotel, tienda y oficina.

Este manual de instrucciones le indica cómo utilizar y dar servicio a su nuevo generador diésel. Léalo antes de usar el generador diésel para garantizar una correcta manipulación y funcionamiento. Seguir estas instrucciones cuidadosamente mantendrá su generador diésel en las mejores condiciones de funcionamiento, lo que permitirá prolongar la vida útil de su generador diésel.

Si tiene alguna pregunta sobre su nuevo producto o alguna de la información proporcionada en este manual, póngase en contacto con service@bpeholdings.co.uk.

PARÁMETROS

Los generadores pueden generar energía especificada cuando se utilizan en las siguientes condiciones:

Altitud: < 1000m

Temperatura ambiente: 5 a 40°C

Humedad relativa: <90 %

ADVERTENCIA

Los escapes/silenciadores y gases están muy calientes al tacto. NO añada ni instale ninguna extensión de escape/silenciador, al hacerlo anulará cualquier garantía ofrecida.

Prevención de quemaduras

NUNCA toque o manipule el escape/silenciador ni el motor cuando el generador esté en funcionamiento o caliente, deje siempre aproximadamente 30 minutos para que el escape/silenciador y el motor se enfríen antes de manipularlo

ADVERTENCIA

Si su generador se va a usar con un panel ATS, deberá cebarse o hacerlo funcionar una vez al mes; de lo contrario, se producirá un drenaje de combustible y (o) el deterioro del combustible, lo que provocará que el generador no arranque y el panel ATS falle.

NUNCA intente instalar este generador en cualquier otro sistema ATS; ya que no funcionará y lo más probable es que se dañe la unidad.

Todas las instalaciones eléctricas DEBEN ser realizadas por un electricista calificado y aprobado. Nunca intente hacer esto usted mismo.

IMPORTANTE

Lea y comprenda este manual de instrucciones para asegurar una utilización segura y preste mucha atención a los siguientes puntos principales de operación, de lo contrario puede causar lesiones personales y daños al equipo.

Prevención de incendios

El combustible del motor diésel es combustible diésel ligero, por lo que NUNCA debe usarse gasolina, queroseno, etc..

Limpie todos los derrames de combustible con un paño limpio. Mantenga la gasolina, el queroseno, los fósforos y otros explosivos y sustancias inflamables lejos del generador, ya que la temperatura alrededor del silenciador de escape es muy alta durante la operación. Para prevenir el riesgo de incendio y proporcionar una ventilación adecuada, mantenga el generador al menos a 1,5 metros de distancia de edificios, estructuras y otros equipos durante la operación.

Utilice el generador en una superficie plana, puede haber derrame de combustible o mal funcionamiento si el generador está inclinado.

Prevención de la inhalación de gases de escape

Los gases de escape contienen monóxido de carbono venenoso. Use siempre el generador en ubicaciones al aire libre como mínimo a 1,5 m de distancia de ventanas, puertas o aberturas.

Los generadores nunca deben usarse en interiores, garajes, cabinas, edificios externos, cobertizos o espacios confinados, incluidos vehículos y compartimentos de vehículos.

Descargas eléctricas, cortocircuitos

Para evitar descargas eléctricas o cortocircuitos, no toque el generador, cuando esté mojado o lo estén sus manos.

Este generador no es impermeable, por lo que NUNCA debe usarse en un lugar expuesto a la lluvia, la nieve o los aerosoles de agua. El generador debe estar conectado a tierra para evitar descargas eléctricas. Conecte una longitud de cable pesado entre el terminal de tierra del generador y un dispositivo de tierra externo, varilla de tierra o estaca, con una profundidad mínima de 200 mm.

No conecte ningún equipo al generador antes de arrancarlo.

⚠ ADVERTENCIA

La mayoría de los motores de dispositivos requieren más de su potencia nominal para la puesta en marcha. No exceda el límite de corriente especificado para ninguna toma de corriente.

Carga de la batería

El electrolito de la batería contiene ácido sulfúrico. Proteja sus ojos, piel y ropa. En caso de contacto, enjuague bien con agua y reciba atención inmediata, especialmente si sus ojos están afectados.

Las baterías generan gas hidrógeno, que puede encender o prender chispas al estar cerca de una batería, especialmente durante la carga.

Cargue la batería en un área totalmente ventilada.

⚠ ADVERTENCIA

Sepa cómo parar el generador rápidamente y comprenda cómo utilizar todos los controles. Nunca permita que nadie utilice el generador sin la instrucción adecuada.

Siempre use un casco, zapatos de seguridad y ropa adecuada. Mantenga a las mascotas y los niños alejados del generador cuando esté en funcionamiento.

PREPARACIÓN ANTES DEL ARRANQUE

Selección y manejo de combustible

- Solo se puede utilizar combustible diésel ligero.
- El combustible debe ser filtrado.
- El combustible no debe tener agua o polvo porque estos pueden contaminar el sistema de inyección de combustible.
- No sobrepase la parte superior del tapón rojo dentro del filtro del tanque de combustible al llenarlo, use el medidor de combustible en la parte superior del tanque.

- No fume ni permita chispas en el área donde se reabastece el motor o donde se almacena la gasolina.
- No derrame combustible al repostar, asegúrese de que la tapa del filtro esté bien cerrada.

Selección y manejo de aceite

- Compruebe el nivel de aceite antes de cada uso.
- Instale el generador sobre una superficie nivelada.
- Abra la puerta para encontrar la varilla medidora del aceite.
- Para comprobar el nivel de aceite, simplemente sumerja la varilla medidora en la sartén. No gire la varilla medidora al hacer la comprobación.



🗨 AVISO

Nada afecta más el rendimiento y la durabilidad del generador que el aceite que utiliza. Si se utiliza un aceite inferior o si el aceite de su motor no se cambia regularmente, el riesgo de convulsión del pistón, adherencia del anillo del pistón y desgaste acelerado de la camisa del cilindro, los rodamientos y otros componentes móviles aumenta significativamente.

- Asegúrese de comprobar el nivel de aceite y rellenar con aceite al nivel especificado antes de arrancar el generador, aunque esté equipado con un sistema de advertencia de baja presión de aceite.
- Si su generador no arranca antes del 5º intento o arranca y se corta, su nivel de aceite es bajo y necesita recargarse.

AVISO

El aceite debe cambiarse después de las primeras 20 horas (o 1 mes) de uso y, luego, cada 3 meses o 100 horas de uso.

Asegúrese de drenar el aceite mientras el motor está templado pero no caliente. Es difícil drenar el aceite por completo después de enfriarlo.

ADVERTENCIA

NUNCA añada o intente cambiar aceite en el generador mientras el motor está funcionando.

Compruebe el filtro de aire

- Afloje la tuerca del ala, desmonte la cubierta del filtro de aire y retire el elemento. No lave el elemento del filtro de aire con detergente. Use agua o gasolina (DEBE dejar secar antes de reemplazar).
- El elemento del filtro de aire debe cambiarse cuando la salida del motor disminuye o el color del escape es anormal.
- Nunca haga funcionar el generador sin el elemento del filtro de aire. Esto puede causar un rápido desgaste del motor.
- Vuelva a colocar la cubierta del filtro de aire y apriete la tuerca del ala.

Asegúrese de que no haya carga en el generador

- Apague el disyuntor principal y cualquier otra carga.
- Asegúrese de apagar el disyuntor principal antes de encender el generador. Si el interruptor no está en la posición «APAGADO», la aplicación repentina de carga podría ser muy peligrosa, cuando se arranca el motor diésel.
- El generador debe estar conectado a tierra para evitar descargas eléctricas. (Recomendado).

Manejo del generador de doble voltaje

- Operación de cambio sobre interruptor: El disyuntor de CA en el panel de control debe ajustarse a la posición «APAGADO» antes de hacer funcionar la máquina. Después de encender el generador, permita que la velocidad alcance las RPM nominales y luego gire el disyuntor de CA a la posición «ENCENDIDO», de modo que los enchufes receptivos se puedan usar para operar el equipo.

- NUNCA intente cambiar entre voltajes cuando el disyuntor de CA esté ENCENDIDO y el equipo enchufado.
- Ajuste el disyuntor de CA principal a la posición «APAGADO» cuando utilice la fuente de alimentación de 12v DC.

Compruebe si hay cámara de descompresión**ADVERTENCIA**

La GASOLINA y el ACEITE del motor se drenan de fábrica antes del transporte. Los generadores están secos para su almacenamiento.

- Compruebe si hay una esclusa de aire en la tubería de combustible y descubra si hay aire mezclado en la tubería, en caso afirmativo, drene el aire de la tubería antes de repostar y encienda el motor diésel.
- El filtro de combustible debe estar lleno como mínimo al 75 %, si no, podría haber aire en el sistema.
- El método para eliminarlo es aflojar la conexión de la tuerca de la glándula de 17 mm entre la bomba de inyección y la tubería de latón de alta presión, colocar la palanca de funcionamiento en la posición «EJECUTAR» y girar el motor hasta que el combustible comience a salir.
- Reemplace y vuelva a apretar la glándula de 17 mm y repita el proceso si el motor aún no arranca.

FUNCIONAMIENTO**Función de Precalentador**

Este generador está equipado con una función de botón de Precalentador para temperaturas frías inferiores a 0°C. Esta característica está diseñada para calentar el motor y el aceite primero utilizando la energía de 12 V CC proporcionada por la batería antes de arrancar el motor.

Si la temperatura exterior es inferior a 0°C, es recomendable utilizar primero el botón de función del Precalentador antes de encender el motor.

1. Gire la llave de encendido a la posición 'ON'
2. Mantenga presionado el botón del Precalentador durante un mínimo de 5 segundos hasta que aparezca la luz de iluminación roja fija.
3. Suelte el botón y encienda el generador normalmente con la llave o el control remoto (Solo modelos con control remoto inalámbrico)

Si el generador no se enciende, repita los pasos 1-3 como máximo solo 3 veces, si el generador no se enciende

después de 3 intentos, comuníquese con su agente de servicio local.

Sistema de advertencia de aceite bajo

- El dispositivo funciona para detener el motor automáticamente cuando la presión del aceite cae por debajo del nivel reglamentario y evitará que el motor se ahogue cuando el aceite del motor se está agotando o se pierde la presión del motor.
- La temperatura del aceite aumentará si el motor se utiliza con una cantidad insuficiente de aceite. Por otro lado, demasiado aceite es peligroso porque el aceite puede quemarse y causar un aumento repentino y excesivo de las rpm del motor, por lo que antes de operar la máquina todos los días, asegúrese de comprobar el aceite y llenar el aceite al nivel especificado si es necesario.

Luz de Advertencia de Bajo Nivel de Aceite

Su generador está equipado con una luz de advertencia de bajo nivel de aceite. Si la luz se ilumina en "Rojo fijo", significa que su generador requiere que se le agregue aceite de inmediato.

1. Pare el uso corriente inmediatamente y apague el motor y deje que se refresque por aproximadamente 10-15mins.
2. Retire la varilla medidora de nivel de aceite y límpiela.
3. Agregue aceite, usando un embudo de aceite (no provisto) y verifique con la varilla medidora de nivel de aceite (como regla general, el aceite está lleno cuando se puede ver visualmente en las roscas media/superior del puerto). Si usa la varilla medidora de aceite, NUNCA atornille la varilla medidora de nivel de aceite para tomar una lectura, simplemente repóselas contra la parte superior del puerto y vea la lectura.
4. Vuelva a atornillar la varilla de nivel de aceite
5. Encienda el motor durante 10 minutos sin ninguna carga, permitiendo que el aceite circule por completo.
6. Verifique el nivel de aceite nuevamente

Si no se agrega la capacidad de aceite recomendada, puede aumentar el desgaste del motor y(o) dañar el motor.

Abra la puerta y la cubierta del gabinete.

Abra la puerta del gabinete, levante la puerta y compruébelo diariamente.

7. Gire el asa en sentido contrario a las agujas del reloj para abrir la puerta del gabinete.

8. Gire el asa en sentido contrario a las agujas del reloj para abrir la puerta del gabinete.

Operación de ruptura

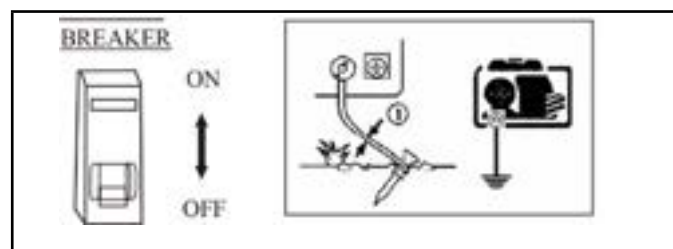
Aunque su generador aún es nuevo, la aplicación de cargas pesadas puede acortar la vida útil del motor. Siga los procedimientos de ruptura durante las primeras 20 horas.

1. Evite aplicar cualquier carga pesada durante el período de ruptura.
2. Cambie el aceite del motor regularmente. Cambie el aceite del motor cada 20 horas o un mes después del uso inicial, y cada 3 meses o 100 horas a partir de entonces.

Arrancar el generador

Arranque eléctrico

1. Gire el interruptor del disyuntor de CA a la posición «APAGADO», asegúrese de que el generador esté conectado a tierra recomendado 200 mm varilla de tierra.



2. Gire la tecla de inicio a la posición «Iniciar». (Durante no más de 8 segundos).
3. Retire la mano de la llave tan pronto como arranque el motor y deje que la llave regrese automáticamente a la posición inicial.

⚠ ADVERTENCIA

Si el motor de arranque no arranca, espere al menos 30 segundos antes de intentar arrancarlo de nuevo.

⚠ ADVERTENCIA

Tenga en cuenta: Si el motor de arranque está funcionando durante demasiado tiempo, agotará la batería.

Batería

Compruebe el nivel del líquido de la batería una vez al mes. Cuando el nivel desciende a la marca superior inferior, reponga con agua destilada hasta la marca superior.

Si el líquido de la batería está bajo, el motor puede no arrancar porque llega muy poca electricidad al motor de arranque. Mantenga siempre el nivel de líquido entre el nivel superior y el nivel inferior.

Si se aplica demasiado líquido de batería, el fluido puede derramarse y corroer las partes circundantes. NO llene en exceso.

Las baterías solo están cubiertas por una garantía de 1 año a partir de la fecha original de compra.

Uso del generador

1. Calentar el motor sin carga durante unos 10 minutos.
2. Nuestro generador está equipado con un sistema de advertencia de nivel de aceite bajo. El motor se detendrá automáticamente en caso de baja presión de aceite o escasez de aceite de lubricación. El motor se detendrá inmediatamente si se reinicia sin una recarga de aceite de lubricación. Comprobar el nivel de aceite y rellenarlo
3. No afloje ni reajuste el perno limitante de velocidad del motor ni el perno limitante de inyección de combustible (se han configurado de fábrica), de lo contrario, el rendimiento y la economía de combustible se verán afectados.

Comprobación durante el funcionamiento

1. ¿Algún sonido o vibración anormal?
2. El motor falla o funciona mal.
3. ¿Qué pasa con el color de los gases de escape? (¿Es negro o demasiado blanco?)

Si nota alguno de los fenómenos anteriores, detenga el motor y consulte a su distribuidor más cercano o póngase en contacto con el soporte técnico en service@bpeholdings.co.uk.

Funcionamiento CA

1. Encienda el motor y asegúrese de que la luz piloto «VERDE» se encienda. Si no lo hace, el filamento puede quemarse.
2. La velocidad del generador debe alcanzar la velocidad nominal (palanca en la parte superior).
3. El generador puede cargarse cuando el indicador de voltímetro se muestra a $240 \pm 10\%$ (50 Hz) en el panel de la caja de control.
4. Enchufe el aparato.

5. Asegúrese de que todos los equipos estén en buenas condiciones de funcionamiento antes de conectarlos al generador.
6. Si un aparato o equipo comienza a funcionar de manera anormal, se vuelve lento o se detiene repentinamente, apague el generador de inmediato. A continuación, desconecte el aparato y examínelo en busca de signos de mal funcionamiento.
7. Si la sobrecarga del circuito hace tropezar el protector del circuito de CA, reduzca la carga eléctrica en el circuito y espere unos minutos antes de reanudar la operación.
8. Si el voltímetro de la pantalla LCD es demasiado bajo o demasiado alto, detenga la máquina y examínela en busca de la causa del fallo.

Función del ATS

Su generador puede estar equipado con un enchufe de entrada ATS, este SOLO se puede conectar a un panel Warrior ATS (190102000010). NUNCA intente instalarlo en ningún otro sistema; no funcionará y lo más probable es que dañe la unidad.

Todas las instalaciones eléctricas DEBEN ser realizadas por un electricista calificado aprobado. Nunca intente hacerlo usted mismo.

Prueba utilizando la función ATS

1. Gire la llave a la posición 'OFF' (APAGADO)
2. Cebe el filtro de combustible manualmente
3. Arranque el generador girando la llave a la posición 'START' (ENCENDIDO) (en el sentido de las agujas del reloj) y suéltelo una vez que arranque el motor, deje que se caliente durante 5-10 minutos.
4. Detenga el generador girando la llave a la posición 'APAGADO'.
5. Conecte el cable de comunicación (suministrado en el panel ATS)
6. Conecte los generadores de energía
7. Apague el suministro principal de energía
8. Después de aproximadamente 6 segundos, el generador intentará arrancar (3 intentos).
9. Si en el caso de que el generador no llegue a arrancar en el primer intento, lo intentará 2 veces más y luego fallará.

ADVERTENCIA

No inicie dos o más máquinas simultáneamente. Arránquelas una por una. No utilice proyectores junto con otras máquinas.

Parar el generador

1. NO detenga el generador cuando esté bajo carga. Dañará el generador.
2. Apague el disyuntor de CA.
3. Gire la llave de contacto en sentido contrario a las agujas del reloj a la posición «APAGADO».

MANTENIMIENTO

La revisión y el mantenimiento periódicos son muy importantes para mantener el motor en buenas condiciones. Lea la descripción detallada del manual de uso de cada pieza.

Apague el motor antes de realizar cualquier mantenimiento. Si debe utilizar el motor, asegúrese de que el área esté bien ventilada. El escape contiene gas de monóxido de carbono venenoso.

Después de que se haya utilizado el motor, límpielo inmediatamente con un paño para evitar la corrosión y eliminar los sedimentos.

DIARIO

- Comprobar el nivel de aceite
- Comprobar y reponer combustible
- Comprobar si hay fugas de aceite
- Líquido de la batería
- Filtro de aire
- Revisar y apretar las piezas del motor si están sueltas

PRIMERAS 20 HORAS

- Cambiar el aceite
- Filtro de aceite limpio

CADA 100 HORAS O 3 MESES

- Aceite de cadena
- Cambiar el filtro de aceite limpio
- Cambiar el filtro del combustible
- Limpiar el filtro de aire
- Comprobar/ajustar la holgura de válvulas*

CADA 2 AÑOS

- Sustituir el conducto de combustible*

*Se requieren herramientas o habilidades especiales, no lo intente usted mismo, consulte la asistencia técnica en service@bpeholdings.co.uk.

Cambiar el aceite de motor (cada 100 horas)

Rellenar con el aceite recomendado 10W30 parcialmente o no sintético.

1. Abra la puerta izquierda, use la horquilla para soltar el tapón de drenaje (no saque el tornillo), coloque la ranura de la guía de aceite debajo del tapón de drenaje, deje que su salida se conecte con el recipiente de aceite, luego retire completamente el tapón de drenaje de aceite.
2. Comience a liberar el aceite y cuando el cárter de aceite esté vacío, si es necesario, use el diésel para limpiar el interior del bloque de cilindros.
3. Vuelva a colocar el tapón de drenaje.



4. Mueva la tapa redondeada de plástico en la parte superior del generador, desenrosque la tapa de aceite de la culata, llene el aceite hasta que alcance el medidor de aceite máximo limitado en el extremo atornille el perno de la culata.



Limpieza del filtro de aire (cada 100 horas)

Mueva la placa superior y la cubierta posterior del generador, verá el filtro de aire. Suelte el clip, descargue la mitad inferior del filtro de aire y saque el elemento filtrante del medio; lave el elemento filtrante con combustible diésel y vuelva a colocarlo en el filtro de aire cuando esté seco.



Comprobación y reposición del líquido de la batería y la carga y la batería (mensual)

Este motor diésel utiliza una batería de 12v. El fluido de la batería se perderá a consecuencia de la carga y descarga continuas.

Antes de comenzar, compruebe si hay daños físicos en la batería y también en el nivel de electrolitos, y reponga con agua destilada hasta la marca superior si es necesario. Cuando se descubra un daño real, reemplace la batería inmediatamente. Las baterías solo están cubiertas por una garantía de 12 meses a partir de la fecha original de compra.

ALMACENAMIENTO

Si su generador debe almacenarse durante mucho tiempo, se debe hacer la siguiente preparación.

1. Utilice el motor diésel unos 10 minutos sin carga y deténgalo.
2. Espere aproximadamente 10 minutos cuando el motor todavía esté caliente, drene el aceite del motor y luego vuelva a llenar el aceite de motor 10W30 nuevo.

SOLUCIÓN DE PROBLEMAS

Problema	Causa	Solución
El motor no arranca.	No hay combustible.	Reponga combustible.
	La batería está agotada	Recargar o reemplazar
	Comprobar el nivel de aceite	Añada aceite si es necesario
	La holgura de la válvula no es correcta	Ajuste el espacio libre según el manual operativo
	Anillo del pistón desgastado o anillos en un lugar incorrecto	Cambiar y ajustar el anillo del pistón
	Los pernos de la culata no están apretados	Apriete los pernos
El motor funciona pero no hay salida.	El disyuntor de CA está «APAGADO»	Coloque el interruptor de CA principal en la posición «ENCENDIDO»
	El contacto del enchufe no es bueno	Ajustar los pies del enchufe
	El AVR está roto	Reemplazar AVR
	Otros.	Póngase en contacto con el quipo de asistencia técnica service@bpeholdings.co.uk .

ESPECIFICACIONES TÉCNICAS

MODELO	LDG12S	LDG15S	LDG12S3	LDG15S3
Tipo	Monofásico A.C		Trifásico	
Frecuencia (Hz)	50			
Potencia nominal (kW)	10	12	10	12
Potencia máxima (kW)	11	13	11	13
Voltaje (A.C)	110,115,120, 220,230,240,120/240		220/380,240/415	
Factor de potencia	0.8	1.0	0.8	1.0
Motor	LA290F	LA292FA-C	LA290F	LA292FA-C
Tipo de motor	4 tiempos, bicilíndrico, refrigerado por aire			
CC del motor	954	1064	954	1064
Diámetro del motor	90	92	90	92
Carrera del motor	75	80	75	80
Velocidad (rpm)	3000			
Sistema de arranque	Arranque eléctrico			
Ruido dBA	<96	<85	<96	<85
Ruido a 7m dBA	<69	<75	<69	<75
Capacidad de aceite (L)	3			
Combustible	Diesel			
Capacidad de gasolina (l)	50	35	50	35
Fuel Consumption g/kWh	<350	<310	<350	<310
Capacidad de funcionamiento (h)	<12			
Peso neto (kg)	295	260	295	260
Dimensiones (L x An x Al) mm	1175 x 695 x 1025	1120 x 725 x 960	1175 x 695 x 1025	1120 x 725 x 960

GARANTÍA

En Warrior comprendemos la importancia de la garantía para el servicio y la reparación, ahora ofrecemos una garantía estándar de 2 años (generadores diésel Warrior) sin necesidad de registrar su compra. Todavía tenemos la opción de registro de productos para clientes que aún deseen utilizar el sitio web y mantenerse en contacto con nosotros.

Consulte las limitaciones a continuación y lea los términos y condiciones completos sobre la garantía ofrecida en un producto en particular.

Todo lo que necesitamos es una copia del comprobante de compra original o una factura proporcionada por el minorista en el momento de la compra para poder presentar la reclamación. Mantenga su prueba de compra segura durante la duración de sus términos, en el caso desafortunado de que necesite a nuestra asistencia técnica, le pediremos que se proporcione en cada reclamo, NINGUNA prueba de compra se retrasará o rechazará.

Garantía de reparación/sustitución

Los generadores diésel de la marca Warrior garantizan al comprador original hasta 2 años de uso doméstico en el que los componentes mecánicos y eléctricos estarán libres de defectos de material y mano de obra durante un período de un año (1) [Piezas y mano de obra] dos años (2) [Solo piezas] desde la fecha original de compra o 1000 horas, lo que ocurra primero.

Uso industrial y comercial Un año (1) [Piezas y mano de obra] o 500 horas, lo que ocurra primero.

Los gastos de transporte de cualquier producto enviado para reparación o sustitución bajo esta garantía correrán exclusivamente a cargo del comprador. Esta garantía es aplicable exclusivamente al comprador original y no es transferible.

No devuelva la unidad al establecimiento de su compra

Póngase en contacto con el servicio técnico de Warrior y le ayudaremos a subsanar cualquier problema por teléfono o correo electrónico. Si este método no permitiera solucionar el problema, Warrior, a su discreción, autorizará la evaluación, reparación o sustitución de la pieza o el componente defectuoso en nuestro Centro de Servicio. Si y cuando un producto tiene que ser reemplazado, se hará igual por igual, no viejo por nuevo. Warrior le proporcionará un número de caso para el servicio de garantía y esto se puede monitorear iniciando sesión en su cuenta. Conserve dicho número para referencia futura. Esta garantía no cubrirá reparaciones o sustituciones realizadas sin autorización previa o en un centro de reparación no autorizado. Tenemos exclusiones de garantía para clientes fuera del Reino Unido. Consulte nuestros términos y condiciones completos.

Exclusiones de la garantía

Esta garantía no cubre las siguientes reparaciones y equipos:

Desgaste normal

Su producto necesita repuestos y servicio periódicos para funcionar bien. Esta garantía no cubre la reparación en caso de que el uso normal haya agotado la vida útil de una pieza o del equipo en su conjunto.

Instalación, uso y mantenimiento

Esta garantía no cubrirá piezas ni mano de obra si se determina que el producto ha sido objeto de uso indebido o descuidado, ha estado implicado en un accidente, ha sido maltratado, sobrecargado por encima de los límites del generador, modificado, instalado de forma incorrecta o conectado de forma incorrecta a cualquier componente eléctrico. El mantenimiento normal no está cubierto por esta garantía.

Otras exclusiones

Esta garantía excluye:

- defectos cosméticos tales como pintura, pegatinas, etc.
- piezas desgastadas, incluidos pistones y anillos, bujías, filtros
- piezas accesorias, incluidas ruedas y conjuntos de retroceso
- fallos debidos a casos fortuitos y otras causas de fuerza mayor fuera del control del fabricante.

Problemas causados por piezas que no sean piezas originales de Warrior Power Equipment.

- alteraciones o modificaciones realizadas por cualquiera que no sea el fabricante, incluidos los sistemas de filtración y extensión de escape.
- todas las mangueras de plástico o goma, válvulas reductoras y reguladores
- cualquier equipo eléctrico de terceros

Batería de 12v

- Todas las baterías suministradas tienen más de 1 año.

Interruptor de transferencia adecuado

Cualquier sistema MTS (Transferencia manual) y ATS (Transferencia automática) que no sean los suministrados por nosotros bajo WARRIOR o Warrior no se considerará adecuado e invalidará todas las garantías otorgadas. Póngase en contacto con nosotros directamente antes de instalar cualquier sistema de transferencia.

Límites de la garantía implícita y daños consecuentes

Winch Solutions Ltd (CG) rechaza cualquier obligación de cubrir cualquier pérdida de tiempo, uso de este producto, transporte o reclamación por daño emergente o consecuente por cualquier usuario de este producto.

ESTA GARANTÍA SUSTITUYE TODAS LAS DEMÁS GARANTÍAS, EXPLÍCITAS O IMPLÍCITAS, INCLUIDAS LAS GARANTÍAS DE COMERCIALIZACIÓN O IDONEIDAD PARA UN FIN DETERMINADO.

Toda unidad suministrada como reemplazo estará sujeta a la garantía de la unidad original. La duración de la garantía aplicable a la unidad suministrada como reemplazo se calculará tomando como referencia la fecha de compra de la unidad original. Esta garantía le otorga ciertos derechos legales que podrían variar entre estados o provincias. Su estado o provincia también podría aplicar otros derechos que podrían corresponderle y que no estén contemplados en esta garantía.

WPROWADZENIE

Dziękujemy za zakup naszego produktu.

Niniejszy produkt jest objęty gwarancją na wady fabryczne przez okres 24 miesięcy liczonych od daty zakupu. Prosimy o zachowanie paragonu jako dowodu zakupu.

Gwarancja straci ważność, jeśli okaże się, że produkt był w jakikolwiek sposób używany niewłaściwie, naruszony lub wykorzystywany niezgodnie z przeznaczeniem.

Wadliwych towarów nie należy zwracać w miejscu zakupu. Agregat należy zwrócić dostawcy produktu.

Produktów nie wolno zwracać bez wcześniejszego uzyskania zgody. Niniejsza gwarancja nie narusza ustawowych praw użytkownika.

Kontaktując się z WPE w sprawie części zamiennych i/ lub serwisu, należy podać pełny numer modelu i numer seryjny posiadanego produktu. Przepisz dane znajdujące się na tabliczce znamionowej produktu do poniższej tabeli.

DZIAŁ POMOCY TECHNICZNEJ WPE
service@bpeholdings.co.uk
NUMER MODELU
NUMER SERYJNY
DATA ZAKUPU
MIEJSCE ZAKUPU

WAŻNE

1. Dzieci powinny znajdować się w bezpiecznej odległości od agregatu i NIGDY nie powinny być dopuszczane do jego obsługi.
2. Nowy agregat wymaga docierania przez okres około 10 godzin przy obciążeniu NIE większym niż 75% obciążenia maksymalnego. Po pierwszych 10 godzinach pracy TRZEBA wymienić olej. Zalecamy stosowanie oleju 10W30, częściowo syntetycznego lub niesyntetycznego.
3. Nie dotykać silnika ani tłumika pracującego agregatu. Należy zwracać uwagę na naklejki ostrzegawcze umieszczone na agregacie.
4. Przed uruchomieniem sprzęt elektryczny (w tym element łączący kabel i wtyczkę) powinien być w dobrym stanie, a przed użyciem należy poddać go kontroli.
5. W przypadku wymiany wyłącznika automatycznego, parametry techniczne nowej jednostki muszą być równoważne lub lepsze od jednostki demontowanej.
6. Ze względu na duże naprężenia mechaniczne zaleca się stosowanie wyłącznie przewodów w oponie gumowej.
7. W przypadku korzystania z przedłużaczy lub ruchomej szafy rozdzielczej przewod o przekroju 1,5 mm² nie powinien być dłuższy niż 50 metrów, a w przypadku przekroju 2,5 mm² - nie powinien być on dłuższy niż 100 metrów.
8. W przypadku rozruchu ręcznego należy zawsze używać dźwigni dekompresji. (TYLKO w przypadku jednostek z ramą otwartą)
9. W standardowych warunkach roboczych otoczenia (od minus 5 do 40 stopni Celsjusza) agregat może pracować przy normalnym obciążeniu roboczym. Jeżeli dane warunki robocze nie są zwyczajne, tzn. są zbyt wysokie lub zbyt niskie, agregat powinien pracować z mniejszą mocą, nie większą niż 75% obciążenia maksymalnego. Gdy temperatura, wysokość i wilgotność przekraczają standardowe warunki robocze, NALEŻY BEZWZGLĘDNIE zmniejszyć moc wyjściową agregatu do nie więcej niż 75% obciążenia maksymalnego.
10. Przed przystąpieniem do przeglądu lub konserwacji agregatu należy wyłączyć silnik i pozostawić go na co najmniej 30 minut do ostygnięcia. Agregat należy sprawdzać i konserwować zgodnie z tabelą przedziałów czasowych i arkuszem harmonogramu podanymi w instrukcji.
11. Z wyjątkiem codziennej konserwacji i czyszczenia, wszelkie przeglądy i regulacje powinny być przeprowadzane przez autoryzowanego fachowca, który powinien zaopatrzyć się u dostawcy w wymagane oryginalne części. (Prosimy o kontakt z lokalnymi przedstawicielami handlowymi).
12. Świeżo wyremontowana maszyna musi zostać poddana docieraniu przez okres co najmniej 10 godzin z mocą nieprzekraczającą 75% maksymalnego obciążenia.

CHARAKTERYSTYKA

Wysokoprężny agregat prądotwórczy WPE posiada następujące cechy:

Niniejsza seria agregatów wysokoprężnych charakteryzuje się superlekkim, chłodzonym powietrzem, czterosuwowym silnikiem wysokoprężnym z bezpośrednim wtryskiem paliwa, posiadającym dwa tryby rozruchu:

1. rozruch mechaniczny,
2. rozruch elektryczny.

Agregaty są wyposażone w pojemny zbiornik paliwa, zabezpieczenie obwodu, wyjścia napięcia AC i czasami DC, alarm niskiego ciśnienia oleju oraz automatyczne urządzenie zatrzymujące.

Wysokoprężny agregat prądotwórczy służy jako zasilacz awaryjny (UPS) do wielu różnych zastosowań, w tym na otwartym placu budowy, w budownictwie i w wojskach lądowych. Może zapewniać awaryjne zasilanie na fermach drobiu, w rybołówstwie, leśnictwie, ogrodach, hotelach, sklepach i biurach.

Niniejsza instrukcja obsługi informuje o sposobie obsługi i serwisowania nowego agregatu wysokoprężnego. Należy się z nią zapoznać przed rozpoczęciem użytkowania agregatu wysokoprężnego, aby zapewnić jego prawidłową obsługę i działanie. Dokładne przestrzeganie zawartych tu instrukcji pozwoli utrzymać agregat wysokoprężny w najlepszym stanie roboczym i wydłużyć jego okres eksploatacji.

W razie jakichkolwiek pytań dotyczących nowego produktu lub informacji podanych w niniejszej instrukcji, prosimy o kontakt: service@bpeholdings.co.uk.

PARAMETRY

Agregaty mogą wytwarzać określoną moc w przypadku eksploatacji w następujących warunkach:

Wysokość n.p.m.: < 1000 m

Temperatura otoczenia: 5 do 40°C

Wilgotność względna: < 90%

OSTRZEŻENIE

Wydech/tłumiki i gazy są bardzo gorące. NIE dodawać ani montować żadnych przedłużeń wydechu/tłumika, ponieważ spowoduje to utratę gwarancji.

Zapobieganie oparzeniom

NIE WOLNO dotykać ani manipulować wydechem/tłumikiem, silnikiem pracującego lub gorącego agregatu. Przed przystąpieniem do obsługi koniecznie pozostawić wydech/tłumik i silnik do ostygnięcia przez ok. 30 minut

OSTRZEŻENIE

Jeśli generator ma być używany z panelem ATS, należy go zalewać lub uruchamiać raz w miesiącu, w przeciwnym razie nastąpi ubytek paliwa lub pogorszenie jakości paliwa, co spowoduje, że generator nie uruchomi się i panel ATS ulegnie awarii.

NIGDY nie próbuj instalować tego generatora w innym systemie ATS, ponieważ nie będzie działał i najprawdopodobniej uszkodzi urządzenie.

Wszystkie instalacje elektryczne MUSZĄ być wykonywane przez uprawnionego, wykwalifikowanego elektryka. Nigdy nie próbuj tego robić sam.

WAŻNE

W celu zapewnienia bezpiecznej eksploatacji należy przeczytać i zrozumieć niniejszą instrukcję obsługi oraz zwrócić szczególną uwagę na poniższe punkty główne, w przeciwnym razie może dojść do odniesienia obrażeń ciała i uszkodzenia sprzętu.

Zapobieganie pożarom

Paliwem właściwym dla silnika wysokoprężnego jest lekki olej napędowy, dlatego NIE WOLNO stosować benzyny, nafty itp.

Rozlane paliwo należy wytrzeć czystą szmatką. Benzynę, naftę, zapalki i inne materiały wybuchowe oraz substancje łatwopalne należy trzymać z dala od agregatu, gdyż podczas pracy temperatura wokół tłumika układu wydechowego jest bardzo wysoka. Aby zapobiec zagrożeniu pożarowemu i zapewnić odpowiednią wentylację, podczas pracy agregat powinien znajdować się w odległości co najmniej 1,5 metra od budynków, konstrukcji i innego wyposażenia.

Agregat należy użytkować na płaskim, równym podłożu. W przypadku przechylenia agregatu może dojść do rozlania paliwa lub pogorszenia jego pracy.

Zapobieganie wdychaniu spalin

Spaliny zawierają trujący tlenek węgla. Agregat należy zawsze użytkować na zewnątrz budynków, w odległości co najmniej 1,5 m od okien, drzwi lub otworów.

Agregatów NIE WOLNO używać w pomieszczeniach, garażach, chatkach, budynkach gospodarczych, szopach ani żadnych innych zamkniętych przestrzeniach, w tym w pojazdach i wydzielonych częściach pojazdów.

Porażenia prądem, zwarcia

Aby uniknąć porażenia prądem lub zwarcia, nie należy dotykać agregatu mokrymi rękami lub agregatu mokrego.

Agregat nie jest wodoodporny, dlatego NIE WOLNO używać go w miejscach narażonych na działanie deszczu, śniegu lub strumieni wody. Aby zapobiec porażeniom prądem, agregat należy uziemić. Zacisk uziemienia agregatu oraz zewnętrzne urządzenie uziemiające, uziom lub bolec – położone na głębokości co najmniej 200 mm – należy połączyć grubym drutem.

Przed uruchomieniem nie należy podłączać żadnych urządzeń do agregatu.

⚠ OSTRZEŻENIE

Rozruch większości silników w urządzeniach wymaga mocy większej niż ich moc znamionowa. Nie należy przekraczać limitu natężenia prądu określonego dla poszczególnych gniazd.

Ładowanie akumulatora

Elektrolit akumulatora zawiera kwas siarkowy. Chronić oczy, skórę i odzież. W razie kontaktu z substancją dokładnie spłukać wodą i zasięgnąć natychmiastowej pomocy, zwłaszcza w przypadku oczu.

Akumulatory wytwarzają wodór, który może wywoływać płomień lub iskrzenie w pobliżu akumulatora, zwłaszcza podczas ładowania.

Akumulator należy ładować w doskonale wietrzonym miejscu.

⚠ OSTRZEŻENIE

Należy mieć wiedzę na temat szybkiego zatrzymywania agregatu i obsługi wszystkich elementów sterujących. Nie należy zezwalać na obsługę agregatu osobom bez odpowiedniego przeszkolenia.

Należy zawsze nosić kask, obuwie ochronne i odpowiednią odzież. Podczas pracy agregatu zwierzęta domowe i dzieci należy trzymać z dala od niego.

PRZYGOTOWANIE DO ROZRUCHU

Dobór paliwa i postępowanie z nim

- Stosować można tylko lekki olej napędowy.
- Paliwo musi być przefiltrowane.
- W paliwie nie powinno być wody ani pyłu, gdyż mogą one zanieczyścić układ wtrysku paliwa.
- Nie należy przepelniać zbiornika powyżej górnej krawędzi czerwonego korka znajdującego się wewnątrz filtra zbiornika paliwa. W tym celu użyć wskaźnika poziomu paliwa znajdującego się na górze zbiornika.

- Nie palić i nie dopuszczać do powstawania iskier w miejscu tankowania silnika lub przechowywania benzyny.
- Nie rozlewać paliwa podczas tankowania. Pilnować, żeby korek filtra był szczelnie zamknięty.

Dobór oleju i postępowanie z nim

- Każdorazowo przed uruchomieniem sprawdzić poziom oleju.
- Ustawić agregat na równym podłożu.
- Bagnet do sprawdzania poziomu oleju jest dostępny po otwarciu drzwiczek.
- Aby sprawdzić poziom oleju, wystarczy zanurzyć bagnet w misce. Podczas sprawdzania nie wkręcać bagnetu.



ⓘ UWAGA

Nic nie wpływa na wydajność i trwałość agregatu bardziej niż stosowany olej. Jeśli stosowany jest olej gorszej jakości lub w przypadku jego nieregularnej wymiany znacznie wzrasta ryzyko zatarcia tłoka, zablokowania pierścieni tłokowych i szybszego zużycia tulei cylindrowych, łożysk i innych ruchomych elementów.

- Przed uruchomieniem agregatu należy sprawdzić poziom oleju i uzupełnić go do wymaganego poziomu, nawet jeśli urządzenie jest wyposażone w system ostrzegający o niskim ciśnieniu oleju.
- Jeśli agregat nie uruchomi się przy 5. próbie lub uruchamia się i wyłącza, oznacza to zbyt niski poziom oleju, który należy uzupełnić.

UWAGA

Olej należy wymienić po pierwszych 20 godzinach (lub 1 miesiącu) eksploatacji, a następnie co 3 miesiące lub 100 godzin pracy.

Olej spuszczać zawsze wtedy, gdy silnik jest ciepły, ale nie gorący. Po schłodzeniu urządzenia całkowite spuszczenie oleju jest trudne.

OSTRZEŻENIE

NIGDY nie należy dolewać ani próbować wymieniać oleju w agregacie przy pracującym silniku.

Kontrola filtra powietrza

- Poluzować nakrętkę motylkową, zdjąć pokrywę filtra powietrza i wyjąć wkład. Nie należy myć wkładu filtrującego detergentem. Zastosować wodę lub benzynę (KONIECZNIE pozostawić do wyschnięcia przed wymianą).
- Wkład filtrujący należy wymieniać w momencie spadku mocy silnika lub pojawienia się nietypowego zabarwienia spalin.
- Nie wolno uruchamiać agregatu bez wkładu filtrującego. Może to spowodować szybkie zużycie silnika.
- Założyć pokrywę filtra powietrza z powrotem i dokręcić nakrętkę motylkową.

Dopilnować, żeby agregat nie był pod obciążeniem.

- Wyłączyć główny wyłącznik prądu i wszelkie inne odbiorniki.
- Przed uruchomieniem agregatu należy pamiętać o wyłączeniu głównego wyłącznika prądu. Jeżeli wyłącznik nie jest ustawiony w pozycji „OFF”, nagłe podłączenie odbiornika podczas uruchamiania silnika wysokoprężnego może stanowić duże zagrożenie.
- Aby zapobiec porażeniom prądem, agregat należy uziemić. (Zalecenie).

Postępowanie z agregatem dwunapięciowym

- Obsługa przełącznika: przed uruchomieniem maszyny wyłącznik prądu przemiennego na panelu sterowania musi być ustawiony w pozycji „OFF” (wyłączonej). Po uruchomieniu agregatu należy poczekać, aż silnik osiągnie obroty znamionowe, a następnie ustawić wyłącznik prądu przemiennego w pozycji „ON”

(włączonej), aby umożliwić zastosowanie gniazd wtykowych do zasilania urządzeń.

- NIE WOLNO przełączać napięć, gdy wyłącznik prądu przemiennego jest włączony, a sprzęt podłączony do gniazdka.
- W przypadku zasilania prądem stałym 12 V główny wyłącznik prądu przemiennego należy ustawić w pozycji „OFF” (wyłączonej).

Kontrola zapowietrzenia**OSTRZEŻENIE**

PALIWO i OLEJ silnikowy są spuszczone fabrycznie przed transportem. W celu przechowywania agregaty są suszone.

- Sprawdzić, czy przewód paliwowy jest zapowietrzony. Jeśli tak, przed zatankowaniem i uruchomieniem silnika wysokoprężnego należy odprowadzić powietrze z przewodu.
- Filtr paliwa powinien być wypełniony w co najmniej 75%. W przeciwnym razie w układzie może znaleźć się powietrze.
- Powietrze odprowadza się, poluzowując nakrętkę dławnicy 17 mm, łączącej pompę wtryskową z mosiężnym przewodem wysokiego ciśnienia, ustawiając dźwignię rozruchową w położeniu „RUN” (praca) i kręcąc silnikiem do momentu, aż paliwo zacznie wypływać.
- Wymienić i dokręcić dławnicę 17 mm z powrotem, a jeśli silnik nadal nie uruchamia się, powtórzyć proces.

PL

OBSŁUGA**Funkcja podgrzewacza**

Ten generator jest wyposażony w funkcję przycisku podgrzewacza do pracy w niskich temperaturach poniżej 0°C. Funkcja ta została zaprojektowana w celu podgrzania i olejowania silnika poprzez zasilanie 12V DC akumulatora przed uruchomieniem silnika.

Jeżeli temperatura zewnętrzna jest niższa niż 0°C, zaleca się najpierw nacisnąć przycisk funkcji podgrzewacza przed uruchomieniem silnika.

1. Przekręć kluczyk zapłonu w pozycję „WŁĄCZ”
2. Naciśnij i przytrzymaj przycisk podgrzewania przez co najmniej 5 sekund, aż pojawi się stałe czerwone podświetlenie
3. Zwolnij przycisk i uruchom generator normalnie za pomocą klucza lub pilota zdalnego sterowania (tylko modele bezprzewodowe zdalnego sterowania)

Jeśli generator nie uruchamia się, powtórz kroki 1-3 maksymalnie 3 razy, jeśli generator nie uruchamia się po 3 próbach należy skontaktować się z lokalnym agentem usług.

System ostrzegania o niskim ciśnieniu oleju

- Urządzenie automatycznie zatrzymuje silnik, gdy ciśnienie oleju spadnie poniżej wymaganego poziomu i zapobiega zatarciu silnika w przypadku niskiego poziomu oleju silnikowego lub utraty ciśnienia w silniku.
- Praca silnika z niewystarczającą ilością oleju spowoduje wzrost temperatury oleju. Z drugiej strony, nadmierna ilość oleju stanowi zagrożenie związane z jego zapłonem, co spowoduje nagły i nadmierny wzrost obrotów silnika, dlatego każdego dnia przed rozruchem maszyny należy sprawdzić poziom oleju i w razie potrzeby uzupełnić go do określonego poziomu.

Światło ostrzegawcze niskiego poziomu oleju

Twój generator jest wyposażony w lampkę ostrzegawczą o niskiej zawartości oleju.

Jeśli światło zdarzenia świeci się „na czerwono”, twój generator będzie wymagał natychmiastowego dodania oleju.

1. Natychmiast przerwij bieżącą aplikację i wyłącz silnik i pozostaw do ostygnięcia przez około 10-15 minut.
2. Wyjmij wskaźnik poziomu oleju i oczyść go.
3. Dodaj olej za pomocą leja olejowego (brak w zestawie) i sprawdź za pomocą wskaźnika poziomu oleju (dobrą zasadą jest przyjęcie, że olej jest pełny, gdy jest widoczny na środkowych/górnych gwintach portu). Podczas korzystania z wskaźnika oleju NIGDY nie wkręcaj wskaźnika poziomu oleju, aby wziąć wartość pomiarową, po prostu sprawdź otwór i zobacz wartość pomiarową.
4. Wkręć z powrotem wskaźnik poziomu oleju
5. Uruchom silnik przez 10 minut bez żadnego obciążenia, dzięki czemu olej będzie mógł całkowicie krążyć.
6. Ponownie sprawdź poziom oleju

Nieuzupełnienie zalecanej pojemności oleju może spowodować zwiększone zużycie i/lub uszkodzenie silnika.

Otwieranie drzwi i osłony szafki

W celu dokonania codziennej kontroli należy otworzyć drzwi szafki, podnosząc je.

7. Drzwi szafki otwiera się, przekręcając uchwyt w lewo.
8. Drzwi szafki zamyka się, przekręcając uchwyt w prawo.

Praca podczas docierania

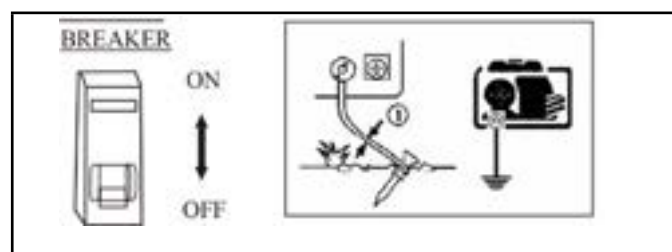
Zastosowanie dużych obciążeń, gdy agregat jest jeszcze nowy, może skrócić żywotność silnika. Przez pierwsze 20 godzin należy przestrzegać procedur docierania.

1. W okresie docierania należy unikać stosowania dużych obciążeń.
2. Należy regularnie wymieniać olej silnikowy. Olej silnikowy należy wymieniać co 20 godzin lub po miesiącu od pierwszego rozruchu, a następnie co 3 miesiące lub co 100 godzin.

Rozruch agregatu

Rozruch elektryczny

1. Obrócić wyłącznik obwodu prądu przemiennego do pozycji „OFF”. Upewnić się, że agregat jest uziemiony zalecanym uziemem 200 mm.



2. Przekręcić kluczyk rozruchowy do pozycji „Start” (nie dłużej niż na 8 sekund).
3. Po uruchomieniu silnika puścić kluczyk i pozwolić, aby automatycznie powrócił do położenia początkowego.

⚠ OSTRZEŻENIE

Jeśli rozrusznik nie uruchomi się, należy odczekać co najmniej 30 sekund przed kolejną próbą rozruchu.

⚠ OSTRZEŻENIE

Uwaga: Jeśli rozrusznik będzie pracował zbyt długo, rozładuje akumulator.

Akumulator

Raz w miesiącu należy sprawdzić poziom płynu w akumulatorze. Gdy poziom spadnie do dolnej kreski, należy uzupełnić go wodą destylowaną do górnej kreski.

Jeśli poziom płynu w akumulatorze jest niski, silnik może nie dać się uruchomić, ponieważ do rozrusznika dociera zbyt mało energii elektrycznej. Poziom płynu należy utrzymywać pomiędzy górnym a dolnym oznaczeniem.

W przypadku zastosowania zbyt dużej ilości płynu akumulatorowego, może on się rozlać i spowodować korozję otaczających go części. **NIE PRZEPEŁNIAĆ.**

Akumulatory są objęte wyłącznie roczną gwarancją, której okres biegnie od daty zakupu.

Obsługa agregatu prądotwórczego

1. Rozgrzać silnik bez obciążenia przez około 10 minuty.
2. Nasz agregat jest wyposażony w system ostrzegania o niskim ciśnieniu oleju. Silnik zostanie automatycznie zatrzymany w przypadku niskiego ciśnienia oleju lub braku smarowania. Ponowne uruchomienie silnika bez uzupełnienia oleju smarnego spowoduje jego natychmiastowe zatrzymanie. Kontrola poziomu oleju i uzupełnianie
3. Nie należy luzować ani korygować położenia śruby ograniczającej prędkość obrotową silnika, ani śruby ograniczającej wtrysk paliwa (zostały one ustawione fabrycznie). W przeciwnym razie jakość pracy i zużycie paliwa mogą zostać pogorszone.

Kontrola podczas pracy

1. Czy występują nietypowe dźwięki lub drgania?
2. Brak zapłonu lub nierówna praca silnika?
3. Jakiego jest zabarwienie spalin? (Jest czarny lub zbyt biały?)

W przypadku zauważenia któregokolwiek z powyższych zjawisk należy zatrzymać silnik i skonsultować się z najbliższym przedstawicielem handlowym lub skontaktować się z działem pomocy technicznej pod numerem service@bpeholdings.co.uk.

Obsługa obwodu prądu przemiennego

1. Uruchomić silnik i upewnić się, że zapaliła się ZIELONA lampka kontrolna. Jeśli się nie zapala, przyczyną może być przepalony żarnik.
2. Obroty agregatu muszą osiągnąć prędkość znamionową (dźwignia na górze).
3. Agregat można obciążyć, gdy wskaźnik woltomierza na panelu skrzynki sterowniczej pokazuje $240 \pm 10\%$ (50 Hz).
4. Podłączyć urządzenie do prądu.

5. Przed podłączeniem do agregatu należy upewnić się, że stan techniczny wszystkich urządzeń jest dobry.
6. Jeżeli urządzenie lub element wyposażenia zacznie działać nietypowo, słabo reagować lub nagle się zatrzyma, należy natychmiast wyłączyć agregat. Następnie należy odłączyć urządzenie i zbadać je pod kątem oznak awarii.
7. Jeśli przeciążenie obwodu uruchomi zabezpieczenie obwodu prądu przemiennego, należy zmniejszyć obciążenie elektryczne obwodu i odczekać kilka minut przed ponownym włączeniem.
8. Jeżeli wskazania woltomierza na wyświetlaczu LCD są zbyt niskie lub zbyt wysokie, należy zatrzymać urządzenie i zbadać je w celu wykrycia przyczyny usterki.

Funkcja ATS

Twój generator może być wyposażony w gniazdo wejściowe ATS, które można podłączyć TYLKO do panelu Warrior ATS (190102000010). **NIGDY** nie próbuj instalować go w innym systemie, ponieważ nie będzie działać i najprawdopodobniej uszkodzi urządzenie.

Wszystkie instalacje elektryczne **MUSZĄ** być wykonywane przez zatwierdzonego, wykwalifikowanego elektryka. Nigdy nie próbuj tego robić samodzielnie.

Testowanie za pomocą funkcji ATS

1. Przekręć kluczyk do pozycji „OFF”.
2. Ręcznie zalej filtr paliwa
3. Uruchom generator, przekręcając kluczyk do pozycji „START” (zgodnie z ruchem wskazówek zegara) i zwolnij go po uruchomieniu silnika, pozwól mu się rozgrzać przez 5-10 minut
4. Zatrzymaj generator przekręcając kluczyk do pozycji „OFF”.
5. Podłącz przewód komunikacyjny (dostarczany w panelu ATS)
6. Podłącz generatory wychodzące z prądu
7. Wyłącz główne zasilanie miejskie
8. Po ok. 6 sekundach nastąpi próba startu generatora (3 próby).
9. Jeśli generator nie uruchomi się za pierwszym razem, spróbuje jeszcze 2 razy i wystąpi błąd.

OSTRZEŻENIE

Nie należy uruchamiać jednocześnie dwóch lub więcej maszyn. Należy uruchamiać je jedna po drugiej. Wraz z innymi urządzeniami nie należy stosować naświetlaczy.

⚠ OSTRZEŻENIE

Uwaga: Jeśli pojawi się usterka przy pierwszej lub drugiej próbie, może to być problem z zasilaniem paliwem (zbadaj, usuń i spróbuj ponownie).

Jeśli pojawi się błąd po 3 próbach, może to być problem z panelem ATS lub generatorem i wymaga zbadania.

Jeśli generator ma być używany z panelem ATS, należy go ręcznie zalewać co tydzień i uruchamiać raz w miesiącu, w przeciwnym razie dojdzie do spuszczenia paliwa i (lub) pogorszenia jakości paliwa, co spowoduje, że generator nie uruchomi się, a panel ATS ulegnie awarii.

W takim przypadku należy sprawdzić i wyczyścić układ wtrysku paliwa.

Wyłączanie agregatu

1. NIE WOLNO wyłączać agregatu będącego pod obciążeniem. Spowoduje to jego uszkodzenie.
2. Wyłączyć wyłącznik obwodu prądu zmiennego.
3. Obrócić kluczyk zapłonu w lewo do pozycji „OFF”.

KONSERWACJA

Okresowe kontrole i przeglądy są bardzo ważne, żeby utrzymać silnik w dobrym stanie technicznym. Należy zapoznać się ze szczegółowym opisem poszczególnych części w instrukcji obsługi.

Przed przystąpieniem do jakichkolwiek czynności konserwacyjnych należy wyłączyć silnik. Jeżeli silnik musi pracować, należy dopilnować, żeby miejsce pracy było dobrze wietrzane. Spaliny zawierają gaz trujący – tlenek węgla.

Po eksploatacji silnika należy natychmiast oczyścić go szmatką, aby zapobiec korozji i usunąć osady.

CODZIENNA

- ☐ Kontrola poziomu oleju
- ☐ Kontrola poziomu paliwa i uzupełnienie
- ☐ Kontrola pod kątem wycieku oleju
- ☐ Płyn akumulatorowy
- ☐ Filtr powietrza
- ☐ Kontrola części silnika i dokręcenie w razie luzów

PO PIERWSZYCH 20 GODZINACH

- ☐ Wymiana oleju
- ☐ Czyszczenie filtra oleju

CO 100 GODZIN LUB CO 3 MIESIĄCE

- ☐ Wymiana oleju
- ☐ Wymiana filtra oleju
- ☐ Wymiana filtra paliwa
- ☐ Czyszczenie filtr powietrza
- ☐ Kontrola/regulacja luzu zaworowego*

CO 2 LATA

- ☐ Wymiana przewodu paliwowego*

*Wymagane są specjalne narzędzia lub umiejętności - czynności nie należy wykonywać samodzielnie - należy skontaktować się z pomocą techniczną pod numerem service@bpeholdings.co.uk.

Wymiana oleju silnikowego (co 100 godz.)

Stosować zalecany olej 10W30, niesyntetyczny lub częściowo syntetyczny.

1. Otworzyć lewe drzwi, poluzować korek spustowy za pomocą widelca (nie wyjmować śruby), umieścić prowadnicę olejową z rowkiem pod korkiem spustowym, niech jego wylot połączy się ze zbiornikiem oleju, a następnie całkowicie wyjąć korek spustowy oleju.
2. Rozpocząć spuszczenie oleju, a gdy miska olejowa zostanie opróżniona, w razie potrzeby wyczyścić wnętrze bloku cylindrów olejem napędowym.
3. Włożyć korek spustowy na miejsce.



4. Przesunąć plastikową okrągłą pokrywę na wierzchu agregatu, odkręcić korek olejowy na głowicy cylindrów, dolać oleju do maksymalnego poziomu na śrubie z tyłu sworzni głowicy cylindrów.

**Czyszczenie filtra powietrza (co 100 godz.)**

Przesunąć górną płytę i tylną pokrywę agregatu. Widoczny będzie filtr powietrza. Poluzować zacisk, odłączyć dolną połowę filtra powietrza i wyjąć znajdujący się w środku wkład filtrujący. Umyć wkład filtrujący olejem

napędowym, a po wyschnięciu włożyć z powrotem do filtra.



Kontrola i uzupełnianie płynu akumulatorowego oraz ładowanie akumulatora (co miesiąc)

Ten silnik wysokoprężny wykorzystuje akumulator o napięciu 12 V. W wyniku ciągłego ładowania i rozładowywania akumulatora następuje utrata płynu akumulatorowego.

Przed uruchomieniem należy sprawdzić akumulator pod kątem uszkodzeń fizycznych oraz poziom elektrolitu, a w razie potrzeby uzupełnić go wodą destylowaną do górnej kreski. W przypadku stwierdzenia faktycznego uszkodzenia akumulator należy natychmiast wymienić. Akumulatory są objęte 12-miesięczną gwarancją, której okres biegnie od daty zakupu.

PRZECHOWYWANIE

Jeżeli agregat ma być przechowywany przez dłuższy czas, należy poczynić następujące przygotowania:

1. Uruchomić silnik wysokoprężny na około 10 minut BEZ obciążenia, po czym wyłączyć go.
2. Odczekać ok. 10 minut, spuścić olej silnikowy, gdy silnik jest jeszcze ciepły, a następnie wlać świeży olej silnikowy typu 10W30.

ROZWIĄZYWANIE PROBLEMÓW

Problem	Przyczyna	Rozwiązanie
Silnik nie chce się uruchomić	Brak paliwa	Dolać paliwa
	Rozładowany akumulator	Naładować lub wymienić
	Kontrola poziomu oleju	W razie potrzeby dolać oleju
	Nieprawidłowy luz zaworowy	Wyregulować luz zgodnie z instrukcją obsługi
	Zużyty pierścień tłokowy lub nieprawidłowe położenie pierścienia	Wymienić pierścień tłokowy i wyregulować
	Niedokręcone śruby na głowicy cylindrów	Dokręcić śruby
Silnik pracuje, ale brakuje mocy	Wyłącznik obwodu prądu przemiennego jest wyłączony	Ustawić główny wyłącznik prądu przemiennego w pozycji „ON”
	Kiepski styk w gnieździe	Wyregulować blaszki w gnieździe
	Uszkodzony system AVR	Wymienić system AVR
	Inne	Skontaktować się z pomocą techniczną: service@bpeholdings.co.uk

DANE TECHNICZNE

MODEL:	LDG12S	LDG15S	LDG12S3	LDG15S3
Typ	Jednofazowy, AC		Trójfazowy	
Częstotliwość (Hz)	50			
Moc znamionowa (kW)	10	12	10	12
Moc maksymalna (kW)	11	13	11	13
Napięcie (AC)	110,115,120, 220,230,240,120/240		220/380,240/415	
Współczynnik mocy	0.8	1.0	0.8	1.0
Silnik	LA290F	LA292FA-C	LA290F	LA292FA-C
Typ silnika	Czterosuwowy, dwucylindrowy, chłodzony powietrzem			
Silnik CC	954	1064	954	1064
Otwór silnika	90	92	90	92
Skok silnika	75	80	75	80
Prędkość (obr./min)	3000			
Układ rozruchu	Rozruch elektryczny			
Poziom hałasu dBA	<96	<85	<96	<85
Hałas na poziomie 7 m dBA	<69	<75	<69	<75
Pojemność oleju (l)	3			
Paliwo	Olej napędowy			
Pojemność paliwa (l)	50	35	50	35
Zużycie paliwa g/kWh	<350	<310	<350	<310
Wydajność robocza (godz.)	<12			
Waga netto (kg)	295	260	295	260
Wymiary (dł. x szer. x wys.) mm	1175 x 695 x 1025	1120 x 725 x 960	1175 x 695 x 1025	1120 x 725 x 960

GWARANCJA

W firmie Warrior rozumiemy znaczenie gwarancji dla serwisu i napraw, dlatego teraz w standardzie oferujemy 2-letnią gwarancję (Warrior Diesel Generators) bez konieczności rejestracji zakupu. Wciąż istnieje możliwość rejestracji produktu przez klientów, którzy nadal chcą korzystać z naszej witryny i pozostawać z nami w kontakcie.

Prosimy o zapoznanie się z poniższymi ograniczeniami i przeczytanie pełnych warunków gwarancji na dany produkt.

Do zgłoszenia reklamacji wymagamy jedynie kopii oryginalnego dowodu zakupu lub faktury wystawionej przez sprzedawcę w momencie zakupu. Dowód zakupu należy przechowywać w bezpiecznym miejscu przez cały okres obowiązywania warunków gwarancji. W niefortunnym przypadku, gdy potrzebna będzie nasza pomoc techniczna, przesłanie go będzie wymagane w każdym przypadku. BRAK dowodu zakupu oznacza opóźnienie rozpatrzenia lub odrzucenie roszczenia gwarancyjnego.

Gwarancja naprawy / wymiany

Firma Warrior gwarantuje pierwotnemu nabywcy agregatu wysokoprężnego naszej marki, że elementy mechaniczne i elektryczne będą wolne od wad materiałowych i wykonawczych przez okres maksymalnie 2 lat od daty zakupu w przypadku użytku domowego, z czego rok pierwszy (1) obejmuje części i robociznę, a rok drugi (2) wyłącznie części, bądź 1000 godzin, w zależności od tego, co upłynie jako pierwsze.

Użytek przemysłowy i komercyjny – jeden (1) rok [części i robocizna] lub 500 godzin, w zależności od tego, co upłynie jako pierwsze.

Pokrycie kosztów transportu dowolnego produktu przekazanego do naprawy lub wymiany w ramach niniejszej gwarancji to wyłączna odpowiedzialność nabywcy. Niniejsza gwarancja dotyczy tylko pierwotnego nabywcy i nie może zostać przeniesiona.

Nie zwracać urządzenia do miejsca zakupu

W celu rozwiązania dowolnego problemu należy skontaktować się z serwisem technicznym firmy Warrior poprzez telefon lub e-mail. Jeśli problem nie zostanie rozwiązany tą metodą, firma Warrior według własnego uznania zezwoli na ocenę, naprawę lub wymianę wadliwej części lub komponentu we własnym centrum serwisowym. W przypadku konieczności wymiany produktu, będzie się to odbywać na zasadzie „podobny na podobny”, a nie „stary na nowy”. Firma Warrior przekaże Państwu numer sprawy w serwisie gwarancyjnym, który można monitorować po zalogowaniu na konto. Należy go zachować na przyszłość. Naprawy lub wymiany dokonywane bez wcześniejszego upoważnienia lub w nieautoryzowanym punkcie naprawczym nie będą objęte niniejszą gwarancją. W przypadku klientów spoza Zjednoczonego Królestwa obowiązują wyłączenia z gwarancji, prosimy o zapoznanie się z pełnymi warunkami.

Wyłączenia z gwarancji

Niniejsza gwarancja NIE obejmuje następujących pozycji:

Normalne zużycie

Aby produkt działał prawidłowo, należy okresowo wymieniać i serwisować niektóre części. Niniejsza gwarancja nie obejmuje napraw, gdy część lub cały sprzęt zużył się w toku normalnej eksploatacji.

Instalacja, użytkowanie i konserwacja

Niniejsza gwarancja nie dotyczy części ani prac, jeśli produkt uznany zostanie za użytkowany nieprawidłowo, zaniedbany, uczestniczący w wypadku, nadużywany, przeciążony ponad granice eksploatacyjne agregatu, zmodyfikowany, niewłaściwie zainstalowany lub nieprawidłowo podłączony do dowolnego elementu lub układu elektrycznego. Niniejsza gwarancja nie obejmuje standardowej konserwacji sprzętu.

Inne wyłączenia

Niniejsza gwarancja nie obejmuje:

- wad kosmetycznych, np. lakieru, naklejek itp.;
- zużycia części, takich jak tłoki i pierścienie, świece zapłonowe, filtry;
- części dodatkowych, w tym kół i zespołów rozruchu mechanicznego;
- awarii spowodowanych działaniem siły wyższej, będących poza kontrolą producenta;
- problemów wynikających z użycia części innych niż oryginalne części firmy Warrior Power Equipment;
- przeróbek lub modyfikacji dokonanych przez jakąkolwiek stronę inną niż producent, w tym przedłużania wydechu i układów filtrujących;
- wszystkich węży z tworzywa sztucznego lub gumy, zaworów redukcyjnych i regulatorów;
- wszelkiego sprzętu elektrycznego stron trzecich.

Akumulator 12 V

- Wszystkie dostarczane akumulatory mają więcej niż 1 rok.

Odpowiedni przełącznik zasilania

Zastosowanie jakiegokolwiek układów przełączania zasilania, MTS (ręcznych) i ATS (samoczynnych), innych niż te dostarczone przez nas pod marką WARRIOR lub Warrior będą uważane za nieodpowiednie i spowodują unieważnienie wszystkich udzielonych gwarancji. Przed zainstalowaniem jakiegokolwiek układu przełączania zasilania prosimy o bezpośredni kontakt z nami.

Ograniczenia gwarancji dorozumianej i szkód następczych

Winch Solutions Ltd (CG) zrzeka się wszelkich zobowiązań do pokrycia kosztów związanych ze stratą czasu, użytkowaniem tego produktu, frachtem lub jakichkolwiek przypadkowych lub wynikowych roszczeń, poniesionych przez dowolnego użytkownika tego produktu.

NINIEJSZA GWARANCJA ZASTĘPUJE WSZELKIE INNE GWARANCJE, WYRAŹNE LUB DOROZUMIANE, W TYM GWARANCJE PRZYDATNOŚCI HANDLOWEJ LUB PRZYDATNOŚCI DO OKREŚLONEGO CELU.

Urządzenie dostarczone w ramach wymiany podlega gwarancji na urządzenie pierwotne. Czas trwania gwarancji na wymieniony egzemplarz będzie obliczany w odniesieniu do daty zakupu egzemplarza pierwotnego. Niniejsza gwarancja daje Państwu określone prawa, które mogą być różne w zależności od kraju. W danym kraju mogą również przysługiwać inne prawa, które nie zostały wymienione w niniejszej gwarancji.

INTRODUKTION

Tack för att du köpte vår produkt.

Denna produkt garanteras mot felaktig tillverkning under en period av 24 månader från inköpsdatumet. Förvara ditt kvitto som bevis på köp.

Denna garanti är ogiltig om produkten visar sig ha missbrukats eller manipulerats på något sätt eller inte använts för det syfte som den var avsedd för. Felaktiga varor ska inte returneras till inköpsplatsen, generatoren ska returneras till leverantören av produkten. Ingen produkt kan returneras utan föregående tillstånd. Denna garanti påverkar inte dina lagstadgade rättigheter.

WPE TECHNICAL SUPPORT TEAM
0046 31280985
MODEL NUMBER
SERIAL NUMBER
DATE OF PURCHASE
PURCHASE LOCATION

VIKTIGT!

1. Barn bör hållas utom räckhåll från elverket
2. Ditt nya elverk kräver en inkörning under ca 10 timmar. Under dessa timmar skall elverket max belastas med 75%. Efter dessa 10 timmar **MÅSTE** ett oljebyte genomföras.
3. Rör inte motorn eller ljuddämparen medan elverket är i drift. Var uppmärksam på varningsklistermärken på generatoren.
4. Elektrisk utrustning (inklusive kabel- och stickanslutningskomponent) bör vara i gott skick innan start.
5. Om byte av säkringar sker måste det vara lika eller bättre i specifikationen för den som ska tas bort.
6. På grund av hög mekanisk påfrestning rekommenderas endast gummihöljrade kablar att användas.
7. När du använder förlängningsladdar eller mobilt distribueringskåp ska ledningen med 1,5 mm² area inte vara längre än 60 meter; och 2,5 mm² kabelarea bör inte vara längre än 100 meter lång.
8. Vid vanliga arbetsförhållanden kan generatoren drivas vid normala driftsbelastningar. Om arbetsvillkoren för omständigheterna inte är normala varken för högt eller för lågt, bör generatoren köras med en lägre utgång. När temperatur, höjd och luftfuktigheten är högre än det normala arbetsförhållandet, **MÅSTE** elverket minska utgångsbelastningen.
9. Innan någon kontroll eller underhåll av generatoren måste motorn stoppas och låta svalna. Kontrollera och underhåll generatoren enligt periodtabellen och schemat i handboken.
10. Förutom det dagliga underhållet eller rengöringen, bör inspektion eller omjustering utföras av auktoriserad professionell person och originaldelar användas.
11. Din nya maskin måste genomgå en inkörningstid på minst 10 timmar, effekten ska inte överstiga 75% av den maximala belastningen under denna tid.

FUNKTIONER

WPE Dieselelverk innehåller följande funktioner:

Serien med dieselelverk är av supertyst, lättvikt, luftkyld och direktinsprutad 4-takts motor. De är utrustade med två startsätt;

1. Dragstart med snöre
2. Elstart

Serien är utrustad med stora bränsletankar, säkringar, AC- och ibland DC-utgångar, låg oljelarm samt autostopp. Elverket kan fungera som en UPS där det automatiskt startar om elnätet försvinner på många olika platser och verksamheter.

Denna manual berättar hur du skall använda och sköta ditt elverk. Var vänlig läs igenom den i sin helhet och säkerställ att du är medveten om dess funktioner, reglage och risker innan användning.

Vid frågor går det bra att ringa 031-280985.

PARAMETRAR

Elverken ger specifierad effekt när följande parameterar uppfylls:

- Höjd över havet: <1000m
- Omgivningens temperatur: 5-40°C

VARNING

Avgasrör/ljuddämpare och avgaser är väldigt heta. Installera aldrig någon ty på förlängning på avgassystemet - om detta sker upphör garantin att gälla.

Undvik brännskador

Rör aldrig vid avgasrör, ljuddämpare eller motorn när den körs eller strax efter. Vänta alltid 30 minuter efter avstängning innan du vidrör något för att delarna skall hinna svalna.

VARNING

Om din generator ska användas med en ATS-panel kommer den att behöva grundas eller köras en gång i månaden, annars kommer bränsletömning och (eller) bränsleförsämring att uppstå som leder till att generatören inte startar och ATS-panelen får fel.

Försök ALDRIG att installera denna generator på något annat ATS-system, det kommer inte att fungera och troligen skada enheten.

Alla elinstallationer MÅSTE utföras av en godkänd kvalificerad elektriker. Försök aldrig att göra detta själv.

VIKTIGT!

Vänligen läs och förstå instruktionerna i denna manual för att kunna använda ditt elverk på ett säkert sätt. Användande på fel sätt kan innebära skador på person och egendom.

Förebygga brand

Dieselmotorer kräver diesel som bränsle. Bensin och andra drivmedel skall INTE användas i detta dieselelverk.

Torka bort allt spillt bränsle efter tankning. Förvara inga lättantändliga vätskor eller material nära elverket då värmen från avgasröret kan antända dessa. För att undvika brand bör elverket ha minst 1,5m fritt utrymme på alla sidor vid användning. Elverket skall användas på en plan yta som inte är gjord av material som kan antändas.

Undvik att inandas avgaser

Avgaser innehåller den giftiga gasen kolmonoxid. Använd aldrig elverket i slutna utrymmen. Sörj för bra ventilation.

Undvika brännskador

Ta aldrig på ljuddämparen eller andra delar nära avgassystemet när elverket är igång eller nyss stoppat.

Elektriska stötar och kortslutning

För att undvika elektriska stötar och kortslutningar - undvik att ta i elverket med fuktiga händer eller när elverket självt är blött.

Elverket är inte vattentätt så det bör inte användas på platser där det kan utsättas för regn, snö eller annan väta.

VARNING!

De flesta förbrukare som du kopplar in kräver mer än deras nominella Watt vid start. Överskrid inte eluttagens effekt.

Ladda batteriet

Elektrolyten i batteriet innehåller syra. Skydda dina ögon, hud och kläder. I händelse av kontakt med kroppen - skölj noga med rent vatten och kontakta sjukvården vid behov.

Batteriet kan avge knallgas vilket är lättantändligt och kan antändas vid laddning.

Ladda batteriet i väl ventilerade utrymmen.

⚠️ VARNING!

Lär dig hur du stoppar elverket snabbt och hur reglagen fungerar. Låt aldrig någon använda elverket utan träning och/eller utbildning.

Använd alltid skyddkläder så som t.ex. hjälm, skyddsskor och bra klädesplagg i övrigt. Håll husdjur och barn borta från elverket när det används.

FÖRBEREDELSE INFÖR START

Drivmedel

- Endast vanlig diesel som säljs för bilar skall användas.
- Drivmedlet skall vara fritt från vatten och smuts då detta kan skada bränslepump och insprutning.
- Dieseln måste filtreras
- Överfyll ej tanken. Fyll inte över den röda markeringen inuti tanken.
- Du skall absolut inte röka eller vara i närheten av gnistor, lågor eller andra källor till brand.
- En droppe diesel förstör en kubik rent vatten - spill inte! Säkerställ att tanklocket är ordentligt åtskruvat när du är klar..

Val och hantering av olja

- Kontrollera oljenivån innan varje start
- Placera elverket på en jämn och plan yta
- Öppna dörren för att komma åt oljestickan
- Doppa ner oljestickan i tråget för att kontrollera oljan. Skruva inte ner oljestickan vid kontroll.

**🗨️ NOTICE**

Val av olja har stor påverkan på maskinens prestanda och livslängd. Var noga med val av olja. Om fel olja används, eller inte byts enligt underhållsschemat kan skador uppstå på motorn. Skador orsakade av fel eller gammal olja täcks inte av garantin.

- Säkerställ oljenivån och var noga med att både byta olja och fylla på vid behov. Kontrollera alltid oljenivån innan start - även om elverket har en automatisk avstängning vid låg olja.
- Om motorn inte startar på femte försöket eller startar och sedan snabbt dör behöver oljan troligen fyllas på.
- Dränera oljan när motorn är varm. Det är svårt att dränera den när motorn är kall.

🗨️ NOTICE

Motoroljan bör bytas efter de första 20 timmarna (eller 1 månad) och därefter var 100:e timme eller var tredje månad.

⚠️ VARNING!

Byt ALDRIG olja eller försök fylla på olja när motorn är igång!

Kontroll av luftfilter

- Lossa vingmuttern, ta bort skyddet runt luftfiltret och ta bort luftfiltret. Använd inte rengöringsmedel vid rengöring.
- Luftfiltret måste bytas när det inte längre går att rengöra det ordentligt eller när avgaserna får en annorlunda färg.
- Använd aldrig elverket utan luftfilter. Detta kan orsaka skada på motorn.
- Sätt tillbaka filter, kåpa och skruva fast vingmuttern.

Säkerställa att ingen last finns

- Stäng av huvudströmbrytaren och andra laster
- Var noga med att stänga av huvudströmbrytaren innan elverket startas. Om brytaren inte är i läge OFF kan inkopplade maskiner oavsiktligt startas.
- Elverket bör jordas för att minimera risken för elektriska stötar. Använd jordspett.

Hantering av elverk med två Volt-typer

- AC-strömbrytaren på kontrollpanelen skall sättas i läge OFF innan elverket startas. Låt sedan

elverket varva upp och gå en liten stund innan AC-strömbrytaren slås på.

- Byt aldrig mellan två olika Volt när AC-strömbrytaren är i ON och last inkopplad.
- När du vill använda 12V-DC uttaget skall AC-strömbrytaren stå i läge OFF.

Kontroll av luft i bränslesystemet

VARNING!

När elverket är nytt innehåller det inget bränsle eller olja. Rester av detta kan dock finnas eftersom varje Warrior-elverk testkörs innan det säljs för att du som kund skall vara trygg i att det fungerar.

- Olja och diesel måste fyllas på innan uppstart när elverket är nytt.
- Elverket bör ej heller transporteras med bränsle i tanken.
- Om bränsletanken blivit tömd kan luft komma in i systemet och förhindra diesel från att nå motorn. Bränslefiltret bör vara minst 75% fyllt - annars är detta ett tecken på luft i systemet.
- För att tömma bränslesystemet på luft lossar du 17mm bulten som finns mellan insprutningen och mässingsröret. Sätt sedan reglaget i läge RUN och starta elverket tills bränsle syns. Sedan kan bulten skruvas på plats igen. Upprepa vid behov.

DRIFT

Förvärmningsfunktion

Detta elverk är utrustad med en förvärmningsfunktion för kalla temperaturer under 0°C, denna funktion är till för att värma upp motorn och oljan med hjälp av 12V DC-ström från batteriet innan motorn startas

Om utetemperaturen är lägre än 0°C rekommenderas att man använder förvärmningsfunktionen innan motorn startas..

1. Vrid tändningsnyckeln till läge 'ON'.
2. Tryck och håll ned förvärmningsknappen i minst 5 sekunder tills ett fast rött ljus tänds på lampan.
3. Släpp knappen och starta elverket normalt med nyckel eller fjärrkontroll (endast modeller kompatibla med trådlös fjärrkontroll).

Om generatorn inte startar, upprepa steg 1-3 max 3 gånger, om generatorn inte startar efter 3 försök kontakta din lokala serviceagent.

Låg oljenivå och autostopp

- Elverket är utrustat med en automatisk avstängning vid låg oljenivå. När oljetrycket minskas stängs motorn av för att skada inte skall uppstå.
- Oljetemperaturen kan stiga om för lite olja används. Om för mycket olja används kan en farlig förbränning ske som rusar varvtalet på motorn. Säkerställ alltid att rätt oljenivå efterlevs.

Låg oljenivålampa

Ditt elverk är utrustad med en varningslampa för låg oljenivå. Om lampan lyser med ett fast rött sken måste olja fyllas på omedelbart.

1. Koppla ur lasten du driver omedelbart och stäng av motorn och låt svalna i ca 10- 15 minuter.
2. skruva ur oljestickan och rengör.
3. Fyll på olja med hjälp av en oljetratt (medföljer ej) och kontrollera nivån med oljestickan (en god regel är att fylla på med olja tills att oljenivån syns visuellt på den nedre gängen i påfyllnadshålet). Om du använder oljestickan, skruva ALDRIG i oljestickan när avläsning görs, mät oljenivån utan att skruva in oljestickan.
4. Skruva tillbaka oljestickan.
5. Kör motorn i 10 minuter utan belastning så att oljan kan cirkulera fullt ut.
6. Kontrollera oljenivån igen.

Att inte följa den rekommenderade oljenivån kan leda till ökat motorslitage och/eller skador på motorn.

Öppna sido- och toppkåpa

Öppna upp sido- och toppkåpa ofta för att inspektera elverket.

7. Vrid handtaget moturs för att öppna dörren.
8. Vrid handtaget medurs för att låsa dörren.

Inkörningsperiod

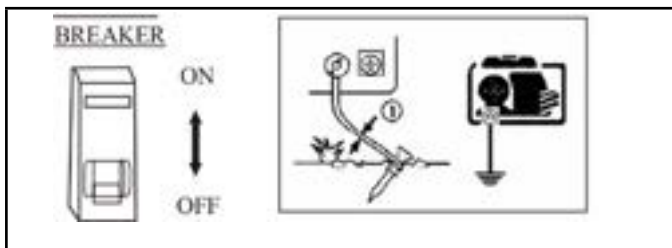
När ditt elverk är nytt skall tunga laster undvikas då detta kan förkorta livslängden för elverket. Följ inkörningsinstruktionen under de första 20 timmarna.

1. Undvik att belasta elverket mer än 75% under de första 20 timmarna.
2. Byt olja regelbundet. Byt den efter de första 20 timmarna eller 1 månad efter första uppstart. Därefter skall den bytas var 100:e timme eller var tredje månad. 10W-30 olja rekommenderas.

Start av elverket

Elektrisk start

1. Vrid AC-strömbrytaren till läge OFF. Vi rekommenderar att elverket är jordat med ett jordspett.



2. Vrid tändningsnyckeln till läge START (max 8 sekunder)
3. Släpp taget om nyckeln när motorn startar och låt nyckeln automatiskt återgå till sin utgångsposition.

⚠ VARNING!

Vänta 30 sekunder mellan startförsöken.

⚠ VARNING!

Om startmotorn används för mycket kommer batteriet att laddas ur.

⚠ VARNING!

Vänligen notera: Om startmotorn körs för mycket kommer batteriet laddas ur.

Lämna alltid nyckeln i läge ON när motorn körs.

Batteri

Kontrollera vätskenivån i batteriet en gång per månad. När nivån understiger miniminivå ska destillerat vatten fyllas på upp till markeringen.

Om batterisyranivån understiger gränsvärdet kan det orsaka skada på batteriet med följd att elverket inte kan startas. Om batteriet överfylls kan det skada omkringliggande delar och material.

Batteriet omfattas endast av ett års garanti.

Användande

1. Värm upp motorn utan att koppla in last under 10 minuter.
2. Elverket är utrustat med låg oljenivå-vakt. Motorn kommer stoppa automatiskt om oljenivån blir för låg. Motorn kommer heller inte gå att starta om oljenivån är för låg.
3. Undvik att skruva på bulten som begränsar gas (varvtal) samt bulten som reglerar

bränsleinsprutning. Dessa två har justerats och trimmats in på fabrik

Kontroll under drift

1. Något ovanligt ljud eller vibration?
2. Misständer motorn eller går ojämnt?
3. Färgen på avgaserna - är de svarta eller vita?

Om du upplever något av ovanstående bör du stänga av ditt elverk och kontakta verkstad eller återförsäljare.

Använda AC-ström (växelström)

1. Starta elverket och säkerställ att den gröna lampan lyser
2. Elverket måste komma upp i normalt varvtal innan last kopplas in.
3. När elverkets display visar 230V +/- 10% kan last kopplas in.
4. Koppla in lasten.

⚠ VARNING!

Starta inte två inkopplade laster samtidigt. Börja med den största av dem.

5. Säkerställ att all utrustning är i gott skick inna de kopplas in.
6. Om en inkopplad last betar sig onormalt så stäng omedelbart av den, stäng av elverket och koppla ur lasten.
7. Om överlast får säkringen att lösa så minska lasten och vänta innan du återupptar drift.
8. Om displayen visar för hög eller för låg Volt - stoppa och sök orsaken till felet.

ATS-funktion

Din generator kan vara utrustad med ATS-ingång, denna kan ENDAST anslutas till en Warrior ATS-panel (190102000010). Försök ALDRIG att installera den på något annat system, det kommer inte att fungera och högst troligen skada enheten.

Alla elinstallationer MÅSTE utföras av en godkänd kvalificerad elektriker, försök aldrig göra detta själv.

Testa med ATS-funktionen

1. Vrid nyckeln till 'OFF'-läget
2. Fyll bränslefiltret manuellt
3. Starta generatoren genom att vrida nyckeln till 'START'-läget (medurs) och släpp när motorn startar, låt den värmas upp i 5-10 minuter

4. Stoppa generatoren genom att vrida nyckeln till 'OFF'-läget.
5. Anslut kommunikationskabel (levereras i ATS-panelen)
6. Anslut generatorer utgående ström
7. Stäng av huvudströmmen för inkommande stadsström.
8. Efter ca 6 sekunder kommer generatoren att försöka starta (3 försök).
9. Om generatoren inte startar vid första försöket kommer den att försöka 2 gånger till och sedan fel.

⚠ VARNING!

OBS: Om du får ett fel vid första eller andra försöket kan det vara problem med bränsletillförseln (Undersök, rensa och försök igen).

Om du får ett fel efter 3 försök kan det vara ett problem med ATS-panelen eller generatoren och behöver undersökas.

Om din generator ska användas med ATS-panel kommer den att behöva förberedas manuellt varje vecka och köras en gång i månaden, annars kommer bränsletömning och (eller) bränsleförsämring att uppstå vilket gör att generatoren inte startar och ATS-panelen får fel.

Om detta inträffar, undersök och rengör bränsleinsprutningssystemet.

Stänga av elverket

1. Stäng av huvudströmbrytaren
2. Sätt gasreglaget i läge RUN och låt elverket vara igång ett par minuter utan inkopplad last. Stäng inte av elverket för snabbt då detta kan få motorns temperatur att stiga för mycket.
3. Vrid nyckeln till OFF eller tryck ner Stoppknappen.

UNDERHÅLL

Periodiska kontroller och underhåll är en viktig del i driften av ditt elverk. Det är väldigt viktigt att elverket och dess motor underhålls kontinuerligt för att dess prestanda och livslängd skall bibehållas.

Stäng av elverket innan något underhåll utförs. Om motorn måste vara igång är det viktigt att detta sker på en välventilerad plats eftersom avgaserna är giftiga.

Rengör elverket med en trasa när det använts för att förhindra rost och korrision.

DAGLIGEN

- ☐ Kontrollera oljenivån
- ☐ Kontrollera och fyll på olja
- ☐ Kontrollera oljeläckage
- ☐ Kontrollera batterivätskan
- ☐ Kontrollera oljefilter
- ☐ Kontrollera så att delar sitter fas

FÖRSTA 20 TIMMARN - INKÖRNING

- ☐ Byt olja
- ☐ Byt oljefilter

VAR 100:E TIMME ELLER VAR TREDJE MÅNAD

- ☐ Byt olja
- ☐ Byt oljefilter
- ☐ Kontrollera luftfilter
- ☐ Rengör bränslefilter
- ☐ Kontrollera/justera ventilerna*

VAR TREDJE ÅR

- ☐ Byt bränsleledningar*

****Speciella verktyg och/eller kompetens kan krävas. Detta bör endast utföras av en verkstad.**

Oljebyte var 100:e timme

Använd SAE 10W30-olja. Mineral eller delsyntet.

1. Öppna den vänstra dörren och lossa dräneringspluggen, utan att skruva ur skruven. Placera oljerännan under dräneringspluggen och låt den gå ner i ett oljetråg eller dyl. Ta bort dräneringspluggen helt.
2. Dränera oljan helt - gärna när motorn är varm.
3. Sätt tillbaka dräneringspluggen.



4. Fyll på ny olja genom oljepåfyllningen i toppen på elverket. Fyll ej på mer än maxnivån.



Rengöra luftfiltret (Var 100:e timme)

Avlägsna topp- och bakkåpan så ser du luftfiltret. Lossa den nedre delen av hållaren och plocka ut filtret. Tvätta filtret i diesel och sätt tillbaka det när det är torrt.



Kontrollera och byta batterivätskan och ladda batteriet (Månatligen)

Elverket är utrustat med ett 12V-batteri. Batterivätskan i batteriet kommer över tid att minska och behöver fyllas på.

Innan start bör batteriet kontrolleras för skador och elektrolytnivå. Om elektrolytnivån är låg skall det fyllas på med destillerat vatten. Byt ut batteriet vid fysisk skada. Batteriets garanti är 12 månader från första inköpsdatum.

FÖRVARING

Om du skall förvara ditt elverk under en längre tid utan att använda det bör följande göras:

1. Kör elverket i ca 10min utan last och stoppa det sedan.
2. Vänta en stund och byt sedan olja medan motorn är varm. Se "Oljebyte".

FELSÖKNING

Problem	Orsak	Åtgärd
Motorn startar ej	Inget bränsle	Fyll på bränsle
	Ventilspelet är inte korrekt	Justera ventilgapen enligt manualen
	Kolringar är slitna eller ur läge	Byt eller justera dessa
	Bultarna i cylindertoppen är lösa	Skruva åt dem
	Låg oljenivå	Fyll på olja
	Batteriet är urladdat	Ladda eller byt batteriet
Motorn går men ingen el finns	AC-brytaren står i OFF	Ändra brytaren till ON
	Glapp i uttaget	Kontrollera uttaget
	AVR is broken	Replace AVR
	Annat	Kontakta återförsäljaren

TECHNICAL SPECIFICATIONS

MODEL:	LDG12S	LDG15S	LDG12S3	LDG15S3
Type	Single Phase A.C		3 Phase	
Frequency (Hz)	50			
Rated Power (kW)	10	12	10	12
Max Power (kW)	11	13	11	13
Voltage (A.C)	110,115,120, 220,230,240,120/240		220/380,240/415	
Power Factor	0.8	1.0	0.8	1.0
Engine	LA290F	LA292FA-C	LA290F	LA292FA-C
Engine Type	4 Stroke, Twin cylinder, air cooled			
Engine CC	954	1064	954	1064
Engine Bore	90	92	90	92
Engine Stroke	75	80	75	80
Speed (rpm)	3000			
Start System	Electric Start			
Noise dBA	<96	<85	<96	<85
Noise at 7m dBA	<69	<75	<69	<75
Oil Capacity (L)	3			
Fuel	Diesel			
Fuel Capacity (L)	50	35	50	35
Fuel Consumption g/kWh	<350	<310	<350	<310
Operation capacity (hr)	<12			
Nett Weight (kg)	295	260	295	260
Dimensions (L x W x H) mm	1175 x 695 x 1025	1120 x 725 x 960	1175 x 695 x 1025	1120 x 725 x 960

EN

WARRANTY

We at Warrior understand the importance of warranty for service & repair, we are now offering a standard 2 Year (Warrior Diesel Generators) without the need for registering your purchase. We still have the option for product registration for customer who still would like to use the website and to keep in touch with ourselves.

Please view the limitations below and read the full T&C's about the warranty offered on a particular product.

All we require is the either a copy of the original proof of purchase or an invoice supplied from retailer at the time of purchase to enable the claim to be raised. Please keep your proof of purchase safe for the duration of your terms, in the unfortunate event you need our technical support we will ask for this to be provided on each claim, NO proof of purchase any warranty claim will be delayed or rejected.

Repair / Replacement Warranty

Warrior branded diesel generators warrants to the original purchaser up to 2 Years for domestic usage that the mechanical and electrical components will be free of defects in material and workmanship for a period of Year One (1) [Parts and Labour] Year Two (2) [Parts Only] from the original date of purchase or 1000 hours which ever comes first.

Industrial & Commercial Use One Year (1) [Parts and Labour] or 500 hours which ever comes first.

Transportation charges on any product submitted for repair or replacement under this warranty are the sole responsibility of the purchaser. This warranty only applies to the original purchaser and is not transferable.

Do Not Return the Unit to the Place of Purchase

Contact Warrior Technical Service and we will troubleshoot any issue via phone or e-mail. If the problem is not corrected by this method, Warrior will, at its option, authorise evaluation, repair or replacement of the defective part or component at our own Service Center. If and when an product has to be replaced it will be on a like for like basis not old for new. Warrior will provide you with a case number for warranty service and this can be monitored through your login account. Please keep it for future reference. Repairs or replacements without prior authorization, or at an unauthorized repair facility, will not be covered by this warranty. We do have warranty exclusions for customers outside the United Kingdom please see our full T&C's.

Warranty Exclusions

This warranty DOES NOT cover the following:

Normal Wear

Your product needs periodic parts and service to perform well. This warranty does not cover repair when normal use has exhausted the life of a part or the equipment as a whole.

Installation, Use and Maintenance

This warranty will not apply to parts or labour if your product is deemed to have been misused, neglected, involved in an accident, abused, overloaded beyond the generator's limits, modified, installed improperly or connected incorrectly to any electrical component or system. Normal maintenance is not covered by this warranty.

Other Exclusions

This warranty excludes:

- cosmetic defects such as paint, decals, etc.,
- worn parts including piston & rings, spark plugs, filters
- accessory parts including wheels & recoil assemblies
- failures due to acts of God and other force majeure events beyond the manufacturer's control
- problems caused by parts that are not original Warrior Power Equipment parts
- alteration or modification(s) made by any party other than the manufacturer including exhaust extension and filtration systems.
- all hoses plastic or rubber, reducing valves and regulators
- any third party electrical equipment

12v Battery

- All batteries supplied Over 1 Year Old.

Suitable Transfer Switch

Any MTS (Manual Transfer) & ATS (Automatic Transfer) systems other than ones supplied by ourselves under WARRIOR or Warrior will not be considered suitable and will invalidate all warranties given. Please contact us direct before installing any Transfer system.

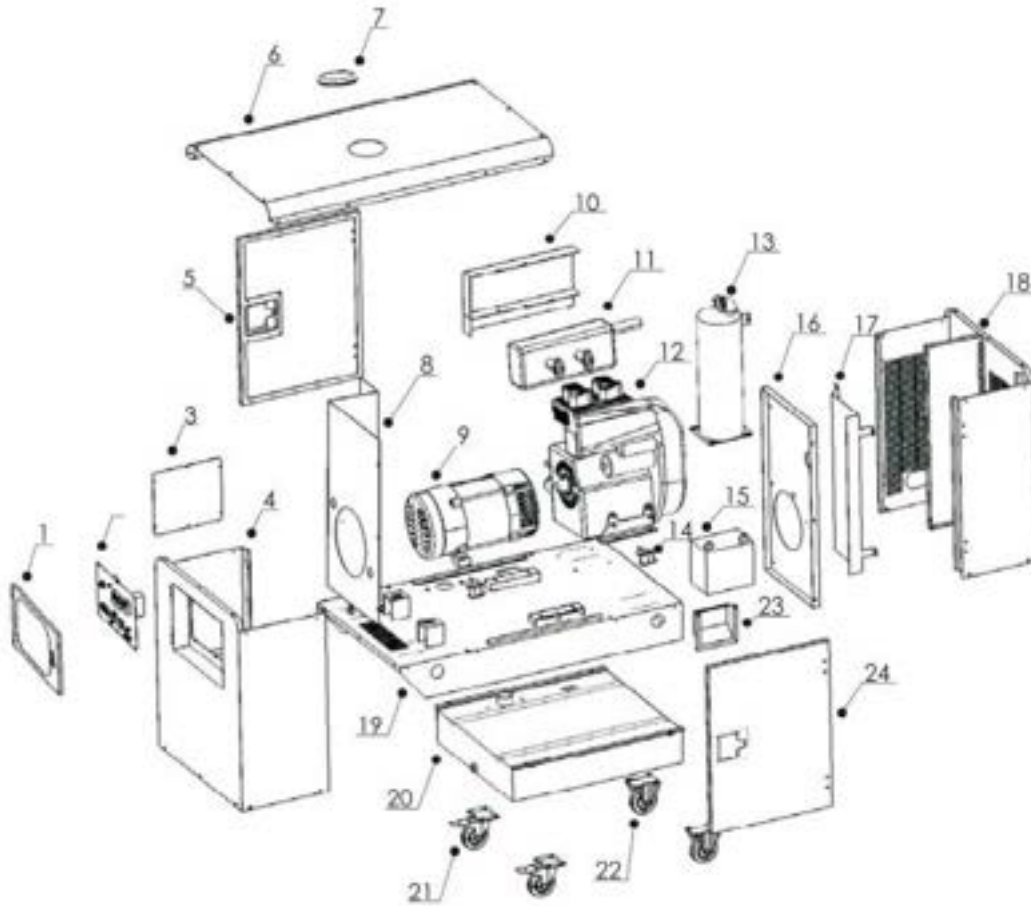
Limits of Implied Warranty and Consequential Damage

Winch Solutions Ltd (CG) disclaims any obligation to cover any loss of time, use of this product, freight, or any incidental or consequential claim costs by anyone using this product.

THIS WARRANTY IS IN LIEU OF ALL OTHER WARRANTIES, EXPRESS OR IMPLIED, INCLUDING WARRANTIES OF MERCHANTABILITY OR FITNESS FOR A PARTICULAR PURPOSE.

A unit provided as an exchange will be subject to the warranty of the original unit. The length of the warranty governing the exchanged unit will remain calculated by reference to the purchase date of the original unit. This warranty gives you certain legal rights which may change from country to country. Your country may also have other rights you may be entitled to that are not listed within this warranty.

ENGINE PARTS DIAGRAM

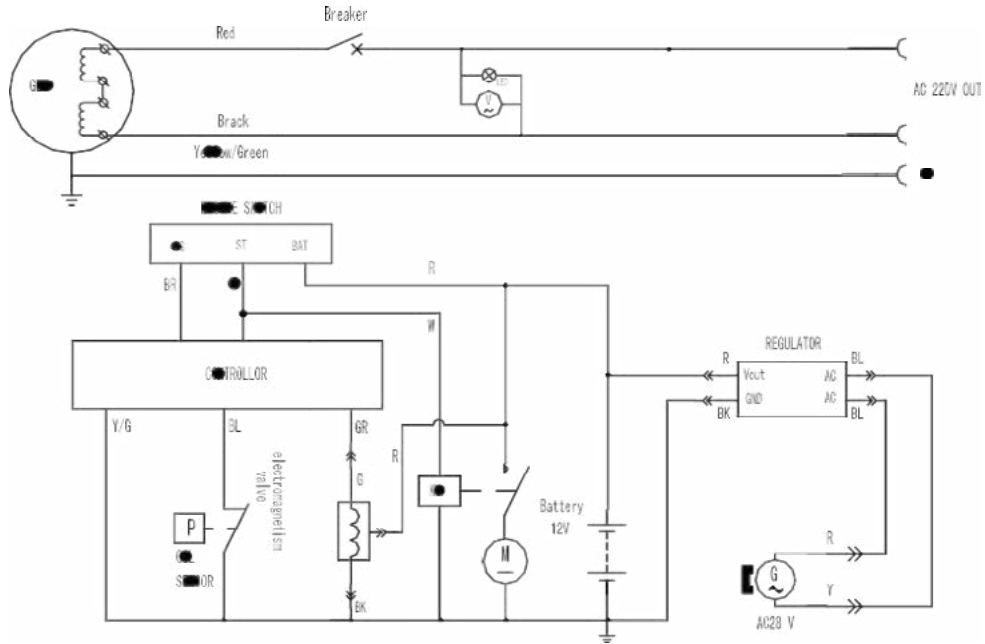


Item	Description	Quantity
1	Control gate	1
2	Control panel	1
3	Battery boards	1
4	Front cover	1
5	Left door	1
6	Upper plate	1
7	Rubbe rcover	1
8	Alternator clapboard	1
9	Alternator	1
10	Muffler heat insulation cover	1
11	Muffler assy I	1
12	Engine	1

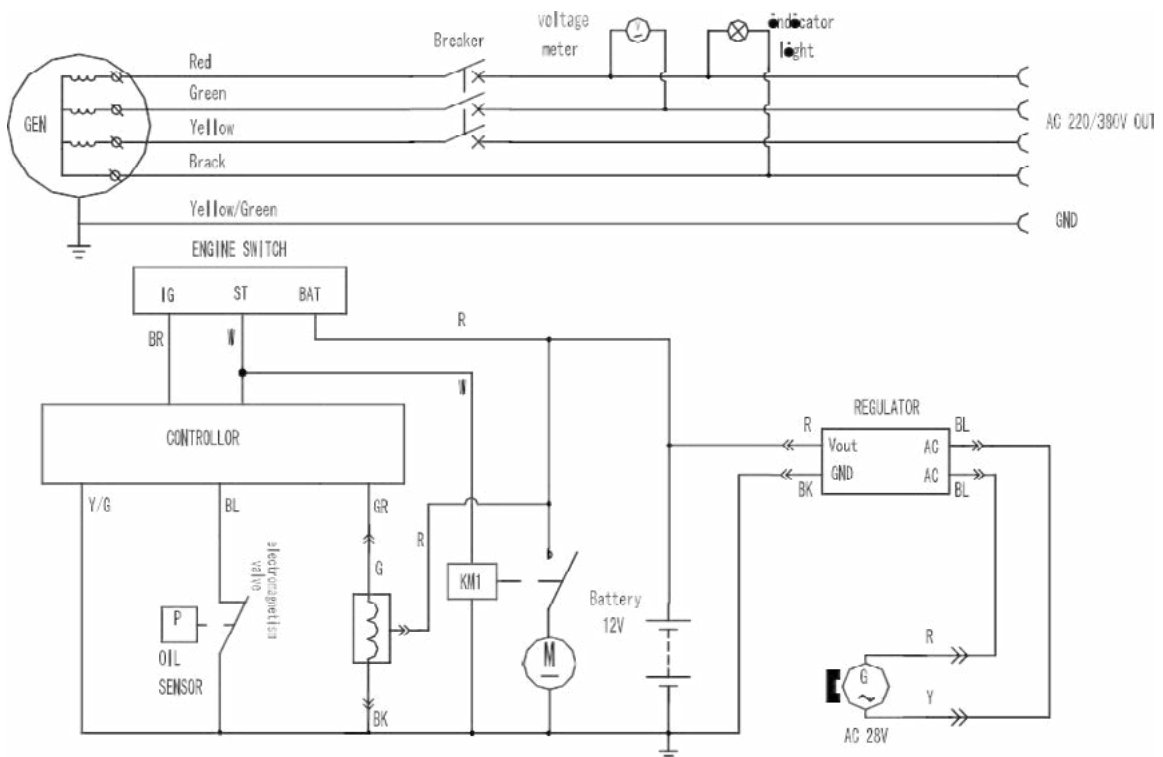
Item	Description	Quantity
13	Muffler assyII	1
14	Shock absorber	6
15	Battery	1
16	Inner cover	1
17	Air cover	1
18	Back cover	1
19	Bottom seat	1
20	Fuel tank	1
21	Wheel	2
22	Lock wheel	2
23	Door lock cover	2
24	Right door	1

WIRING DIAGRAM

Electrical Wiring Diagram (Single Phase Generator)



Electrical Wiring Diagram (Three Phase Generator)





CERTIFICATE

of Conformity
EC Council Directive 2006/42/EC
Machinery

Registration No.: AM 50588445 0001

Report No.: CN230FUA 001

Holder: Fujian Everstrong Lega Power Equipments Co., Ltd.
Hongkuan Industrial Park,
Yangxia Town, Fuqing
Fuzhou
350323 Fujian
P.R. China

Product: Generator
(Diesel Generating Set)

Identification:		Type Designation	Serial No.
LDG12	LDG12-3	BJAA0330	BJAA0331
LDG12S	LDG12S-3	22120310	22120226
LDG15	LDG15-3	22120014	BBAA0005
LDG15S	LDG15S-3	BBAA0003	BBAA0004
LDG15SA	LDG15SA-3	BBAA0002	BBAA0001

Remark: For details refer to test report CN230FUA 001.

This certificate of conformity is based on an evaluation of a sample of the above mentioned product. This is to certify that the tested sample is in conformity with all provision of Annex I of Council Directive 2006/42/EC, referred to as the Machinery Directive. This certificate does not imply assessment of the production of the product and does not permit the use of a TÜV Rheinland mark of conformity. The holder of the certificate is authorized to use this certificate in connection with the EC declaration of conformity according to Annex II of the Directive.

Certification Body

Date 01.06.2023



Ming Shan

Ming Shan

TÜV Rheinland LGA Products GmbH - Tillystraße 2 - 90431 Nürnberg

CE The CE marking may be used if all relevant and effective EC Directives are complied with.



CERTIFICATE

Page 1 of 1

of Conformity Supply of Machinery (Safety) Regulations 2008 (UK SI 2008 No. 1597)

Registration Nr.: AY 50588241 0001
Report Nr.: CN2376JW 001

Holder: Fujian Everstrong Lega Power Equipments Co., Ltd.
Hongkuan Industrial Park,
Yangxia Town, Fuqing
Fuzhou
350323 Fujian
P.R. China

Product: Generator (*Diesel Generating Set*)

Test standard: EN ISO 8528-13:2016

Identification: Type Designation:LDG12; LDG12-3; LDG12S; LDG12S-3;
LDG15; LDG15-3;LDG15S; LDG15S-3; LDG15SA;
LDG15SA-3
Serial No.: BJAA0330; BJAA0331; 22120310; 22120226;
22120014; BBAA0005;BBAA0003; BBAA0004; BBAA0002;
BBAA0001
Remark: For details refer to test report CN2376JW 001.

This certificate of conformity is based on an evaluation of a sample of the above mentioned product, technical report and documentation. This certificate does not imply the assessment of the production of the product and does not permit the use of a TÜV Rheinland mark of conformity.

Certification Body

Date: 2023-06-05

Ming Shan

Ming Shan



The UKCA mark may be used, if all relevant UK Legislations and the UK Declaration of Conformity has been completed.



TÜV Rheinland UK Ltd.

Friars Gate (Third Floor), 1011 Stratford Road, Shirley, Solihull, B90 4BN

www.tuv.com

 **TÜVRheinland®**
Precisely Right.



Warrior Europe Service & Technical Contacts

United Kingdom:

BPE Holdings
Unit 17-18
Bradley Hall Trading Estate
Bradley Lane, Standish
Wigan, WN6 0XQ, UK
Tel: +44 (0) 1942 715 407
technical@bpeholdings.co.uk

Germany:

BPE Solutions Deutschland GmbH
Altrottstraße 31
D-69190 Walldorf
Germany
Tel: +49 6227/655996-3
support@bpeholdings.de

France:

BPE Solutions France SAS
3 Boulevard de Belfort
59000 Lille
France
sav@bpeholdings.fr

Sweden:

BPE Nordic AB
Valnäsgratan 2
44252 Ytterby
Sweden
Tel: +46 (0)31280985
info@championgenerators.se